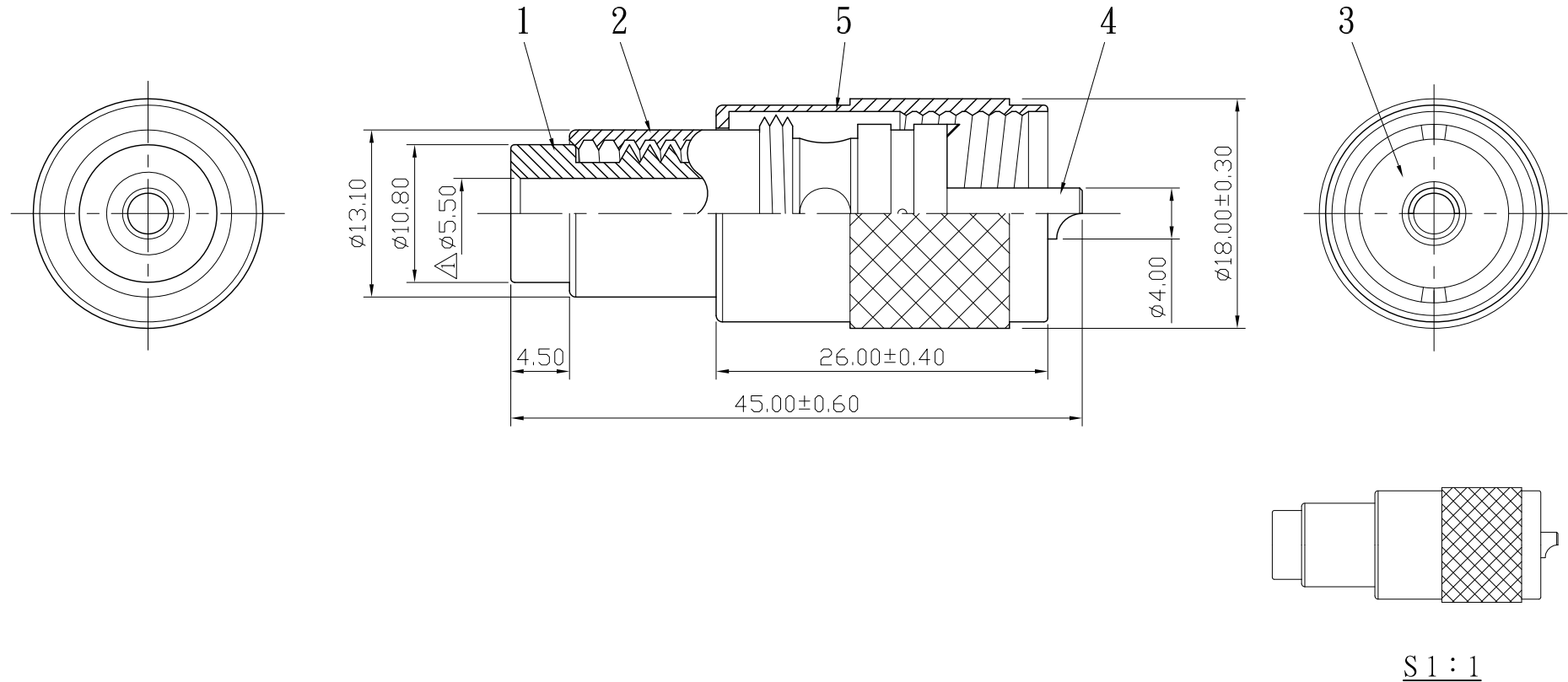



No.	DATE	DESCRIPTION	REV	REMARK : RoHS REQUIREMENT APPLIED (符合RoHS)	DATE	DRAWING NO.
△	2008. 12. 02	Original dimention □7.50	A		2008. 12. 02	US-1003NG-TEF(50)-58U



7						DIMENSIONS ARE IN MILLIMETERS UNLESS OTHERWISE PECIFIED TOLERANCES (一般公差) 0.5~6 = ±0.2 >6~30 = ±0.4 >30~120 = ±0.6 >120~315 = ±1 >315~1000 = ±1.6 ANGLES(角度) = ±5°	CHECKED	 雅鈦企業有限公司 Aec Connectors Co., Ltd.	
6					DRAWN <i>Chad</i>				TITLE UHF SOLDER CONNECTOR FOR RG-58/U
5	shell	1	brass	nickel					DATE 2008. 04. 24
4	contact pin	1	brass	gold					FILE NO. DRAWING/RF/US/US-1003NTG-SF1110
3	insulator	1	PTFE	white					
2	body	1	brass	nickel					
1	body	1	brass	nickel					
NO.	Description	Unit	Materials	Finish	Drawing No.	SCALE 2 : 1	UNIT MM		