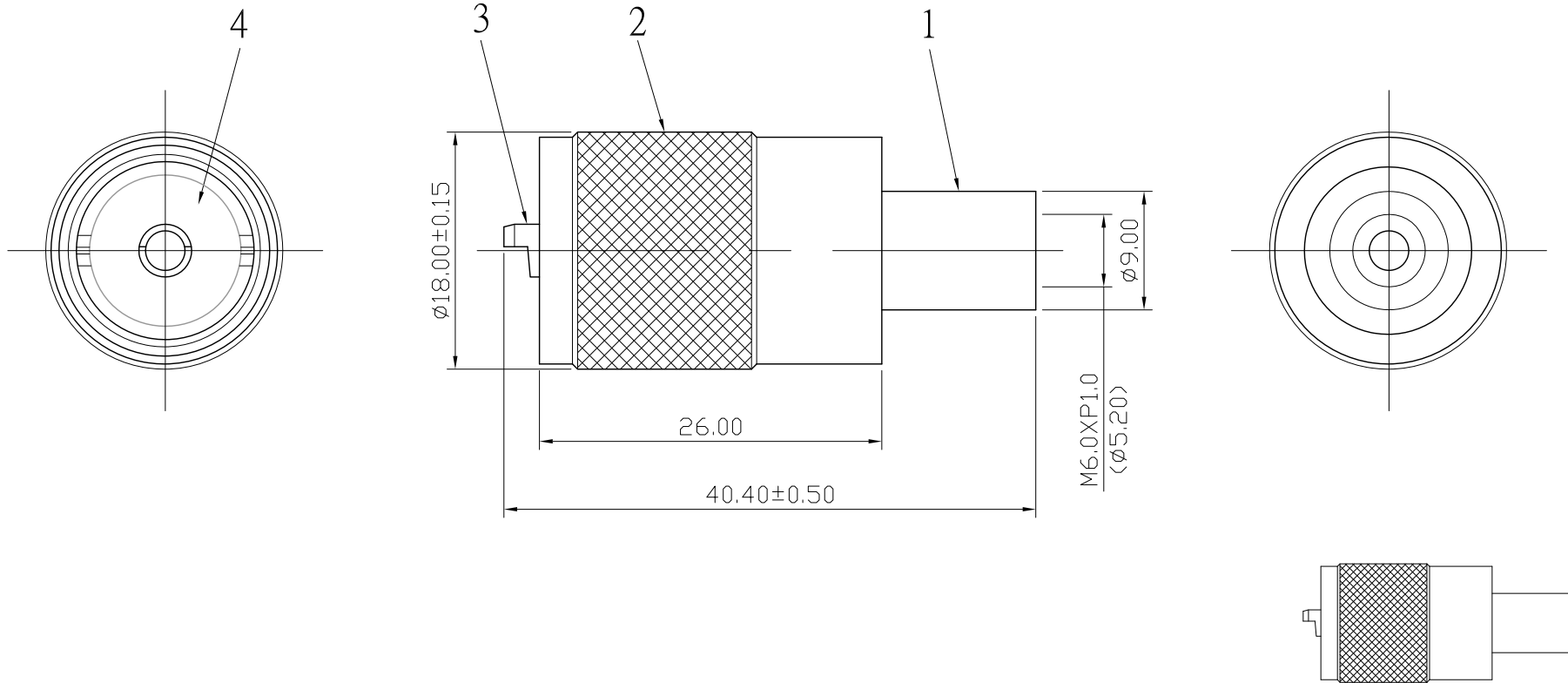



No.	DATE	DESCRIPTION	REV	REMARK : RoHS REQUIREMENT APPLIED (符合RoHS)	DATE	DRAWING NO.
					2009. 02. 04	US-1006NG-TEF(50)-58U



S 1 : 1

7						DIMENSIONS ARE IN MILLIMETERS	CHECKED	 <b>雅鈦企業有限公司</b> Aec Connectors Co., Ltd.	
6									UNLESS OTHERWISE SPECIFIED TOLERANCES (一般公差) 0.5~6 = ±0.2 >6~30 = ±0.4 >30~120 = ±0.6 >120~315 = ±1 >315~1000 = ±1.6 ANGLES(角度) = ±5°
5						SCALE   2 : 1   UNIT   MM	DRAWN <i>Chad</i>	UHF MALE TWIST ON FOR RG-58/U	
4	insulator	1	PTFE	white				DATE	DRAWING NO.
3	contact pin	1	brass	gold				2008. 05. 23	US-1006NTG-SG1110
2	shell	1	brass	nickel				FILE NO.	DRAWINGARFUSUS-1006NTG-SG1110
1	body	1	brass	nickel					
NO.	Description	Unit	Materials	Finish	Drawing No.				