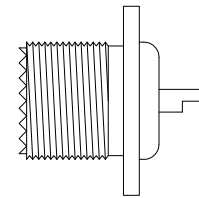
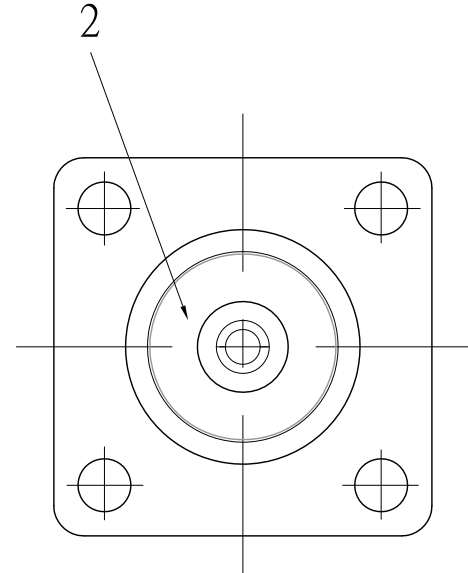
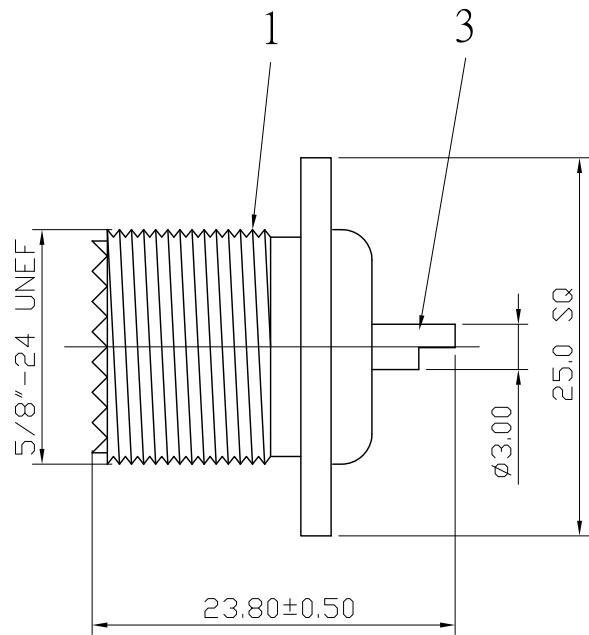
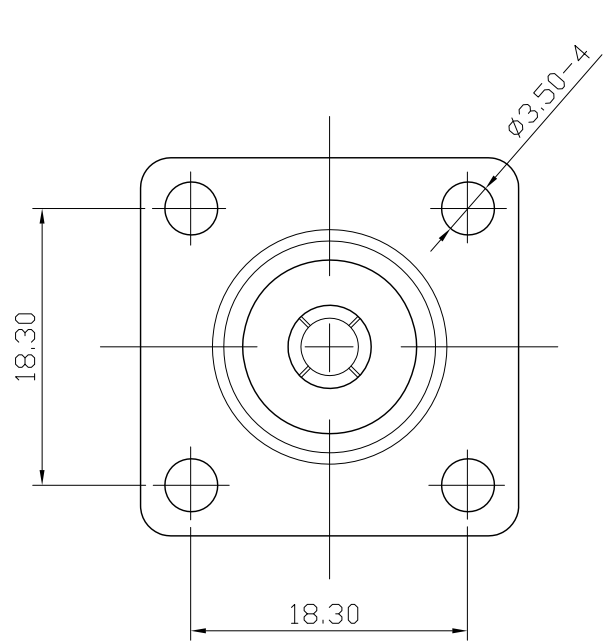



No.	DATE	DESCRIPTION	REV	REMARK : RoHS REQUIREMENT APPLIED (符合RoHS)	DATE	DRAWING NO.
					2009. 03. 02	US-1011N(ZA)N-DEL(50)



S 1 : 1

7						DIMENSIONS ARE IN MILLIMETERS UNLESS OTHERWISE SPECIFIED TOLERANCES (一般公差) 0.5~6 = ± 0.2 >6~30 = ± 0.4 >30~120 = ± 0.6 >120~315 = ± 1 >315~1000 = ± 1.6 ANGLES(角度) = $\pm 5^\circ$	CHECKED	 雅鈦企業有限公司 Aec Connectors Co., Ltd.
6					DRAWN		TITLE	
5					<i>Chad</i>		UHF FEMALE SOLDER, PANEL RECEPTACLE	
4					DATE		DRAWING NO.	
3	contact pin	1	brass	nickel		2008. 05. 14	US-1012NDN-SE0020	
2	insulator	1	POM	white			FILE NO. DRAWINGR\FUSUS-1012NDN-SE0020	
1	body	1	zinc alloy	nickel				
NO.	Description	Unit	Materials	Finish	Drawing No.	SCALE	UNIT	MM