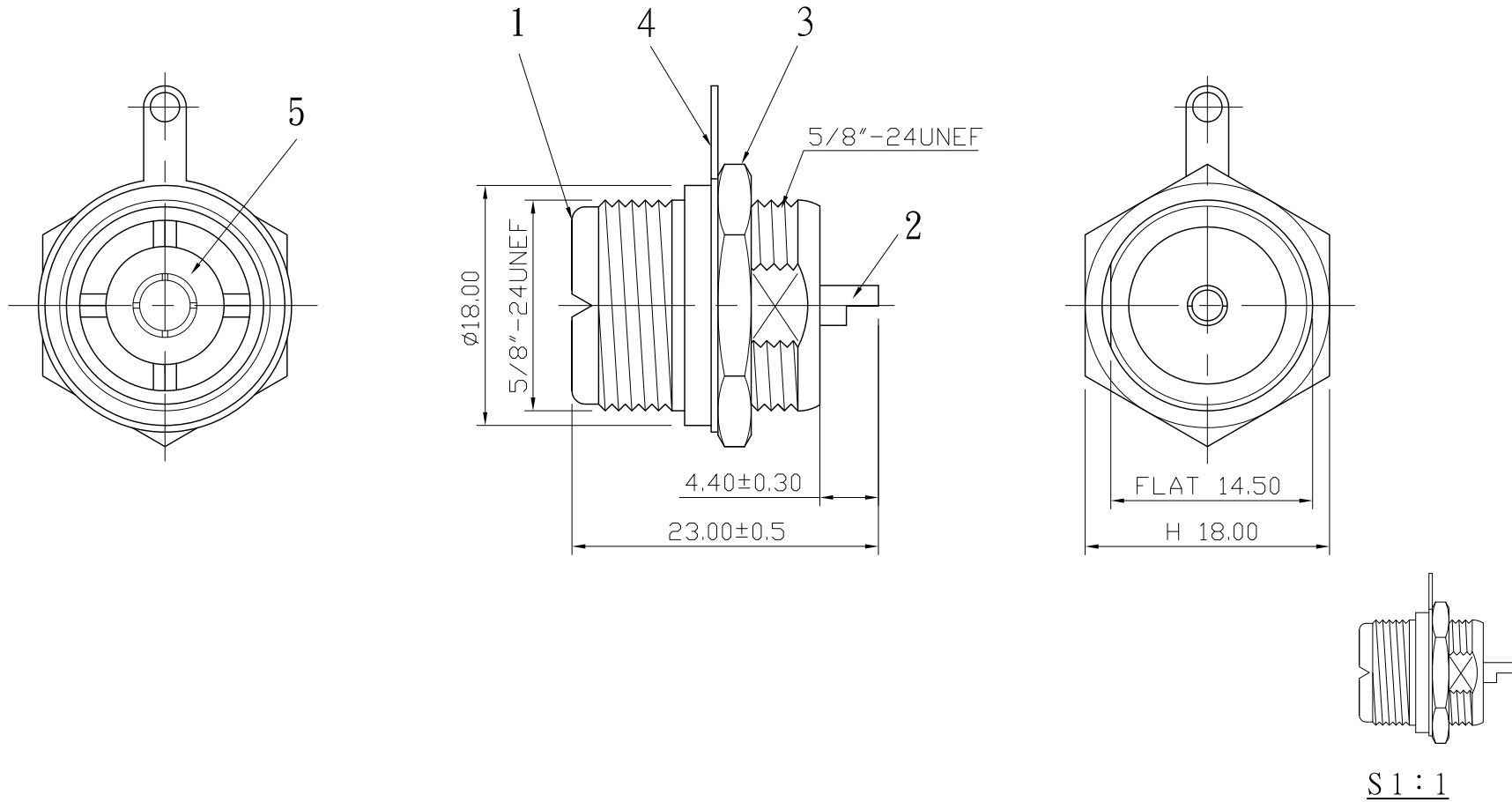



| | | | | | | |
|-----|--------------|-----------------------|-----|---|--------------|----------------------|
| No. | DATE | DESCRIPTION | REV | REMARK : RoHS REQUIREMENT APPLIED (符合RoHS) | DATE | DRAWING NO. |
| △ | 2009. 10. 07 | Drawing to renew 圖面更新 | A | | 2009. 10. 02 | US-1012NG-TEF(50)-Ro |



| | | | | | | | | | | |
|-----|-------------|------|-----------|--------|-------------|--|-------|----------------------|---|--|
| | | | | | | DIMENSIONS ARE IN MILLIMETERS | | CHECKED |  雅鈦企業有限公司 Aec Connectors Co., Ltd. | |
| | | | | | | UNLESS OTHERWISE SPECIFIED TOLERANCES (一般公差) | | DRAWN <i>Chad</i> | | |
| 5 | insulator | 1 | PTFE | white | | 0.5~6 = ±0.2 | | | | |
| 4 | washer | 1 | steel | nickel | | >6~30 = ±0.4 | | | | |
| 3 | nut | 1 | brass | nickel | | >30~120 = ±0.6 | | | | |
| 2 | contact pin | 1 | brass | gold | | >120~315 = ±1 | | DATE 2007. 07. 17 | | |
| 1 | body | 1 | brass | nickel | | >315~1000 = ±1.6 | | | | |
| NO. | Description | Unit | Materials | Finish | Drawing No. | SCALE | 2 : 1 | UNIT | MM | TITLE UHF FEMALE BULKHEAD |
| | | | | | | | | | | DRAWING NO. US-1013NTG-SB0020 |
| | | | | | | | | | | FILE NO. DRAWINGRFUSUS-1013NTG-SB0020 |