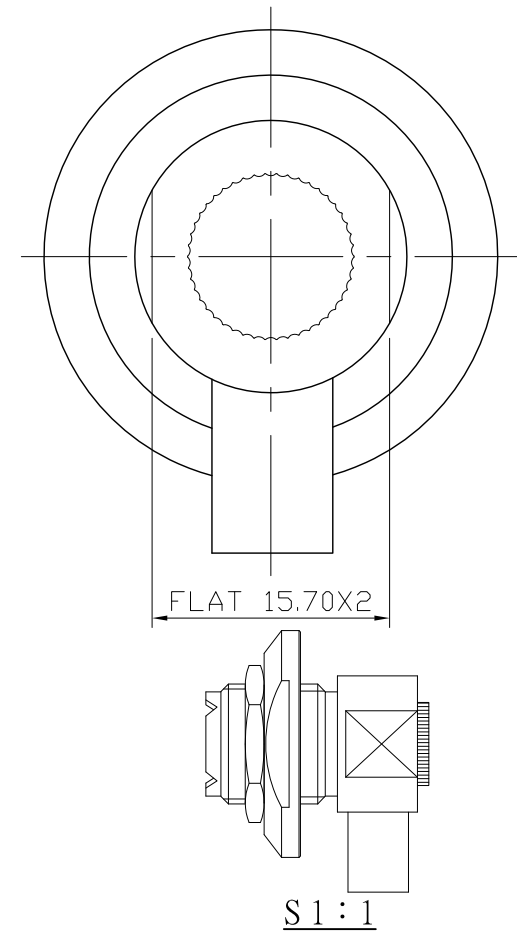
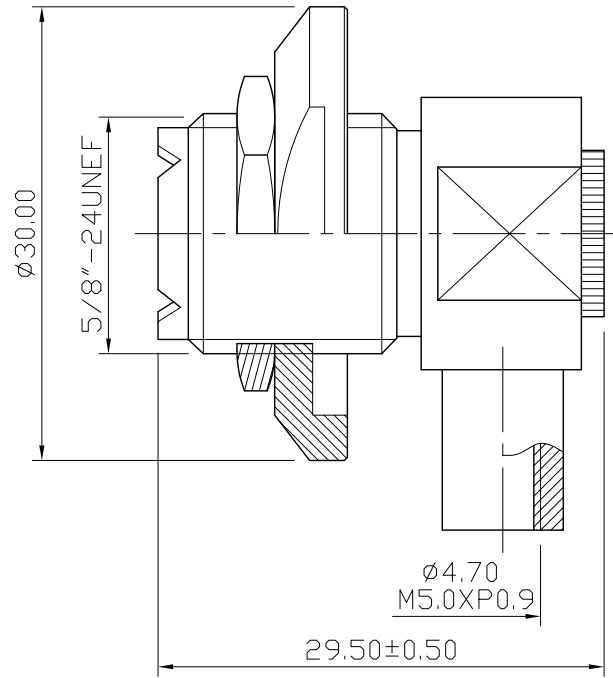
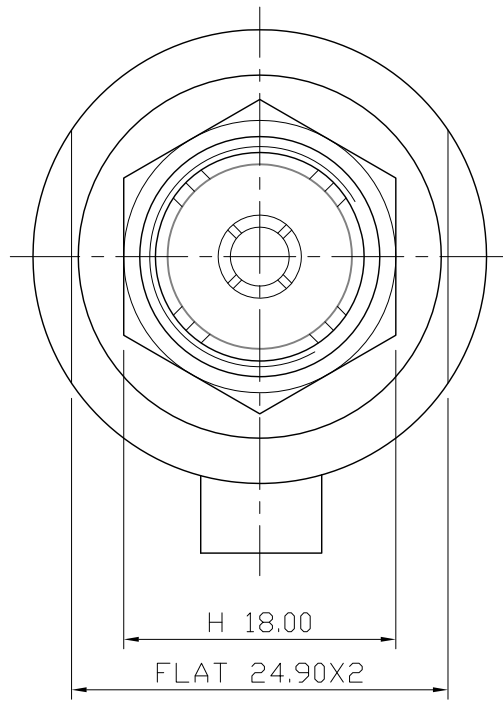


No.	DATE	DESCRIPTION	REV	REMARK : RoHS REQUIREMENT APPLIED (符合RoHS)	DATE	DRAWING NO.
					2010. 12. 21	US-1013NG



-	nut	1	brass	nickel		DIMENSIONS ARE IN MILLIMETERS UNLESS OTHERWISE PECIFIED TOLERANCES (一般公差) 0.5~6 = ±0.2 >6~30 = ±0.4 >30~120 = ±0.6 >120~315 = ±1 >315~1000 = ±1.6 ANGLES(角度) = ±5°	CHECKED
-	nut	1	brass	nickel			
-	nut	1	brass	nickel			DRAWN <i>Tina</i>
-	body	1	brass	nickel			
-	contact pin	1	brass	gold			
-	insulator	1	POM	white			DATE 2010. 12. 21
-	body	1	brass	nickel			
NO.	Description	Unit	Materials	Finish	Drawing No.	SCALE 2 : 1	UNIT MM


雅鈦企業有限公司
 Aec Connectors Co., Ltd.

TITLE
 R/A UHF FEMALE TWIST ON FOR RG 58/U
 DRAWING NO.
US-1014NDG-RG1120
 FILE NO. DRAWINGRUFUSUS-1014NTG-RG1120