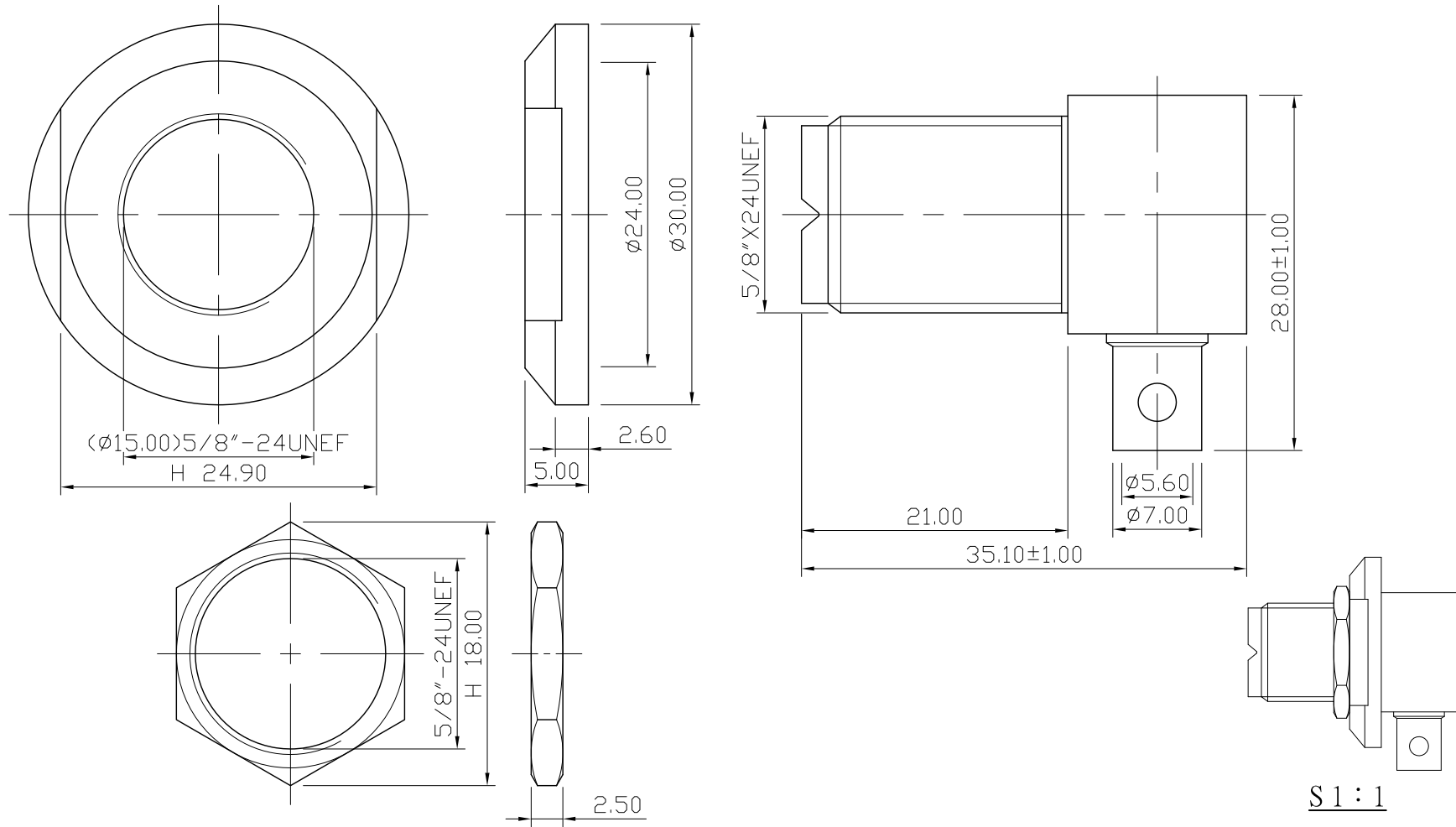



No.	DATE	DESCRIPTION	REV	REMARK : RoHS REQUIREMENT APPLIED (符合RoHS)	DATE	DRAWING NO.
△	2008. 03. 13	Drawing to renew 圖面更新	A		2011. 01. 13	US-1015



-	nut	1	brass	nickel	DIMENSIONS ARE IN MILLIMETERS UNLESS OTHERWISE PECIFIED TOLERANCES (一般公差) 0.5~6 = ± 0.2 >6~30 = ± 0.4 >30~120 = ± 0.6 >120~315 = ± 1 >315~1000 = ± 1.6 ANGLES(角度) = $\pm 5^\circ$	CHECKED	 雅鈦企業有限公司 Aec Connectors Co., Ltd.	
-	nut	1	brass	nickel				
-	nut	1	brass	nickel		DRAWN <i>Tina</i>		TITLE R/A UHF FEMALE SOLDER FOR 3D
-	body	1	brass	nickel				DATE 2010. 12. 23
-	insulator	1	POM	white		FILE NO. DRAWINGRFUSUS-1016NDG-RF6120		
-	contact pin	1	brass	gold				
-	body	1	brass	nickel				
NO.	Description	Unit	Materials	Finish		Drawing No.		SCALE 2 : 1