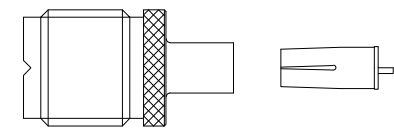
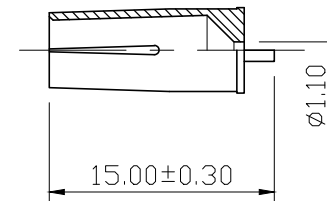
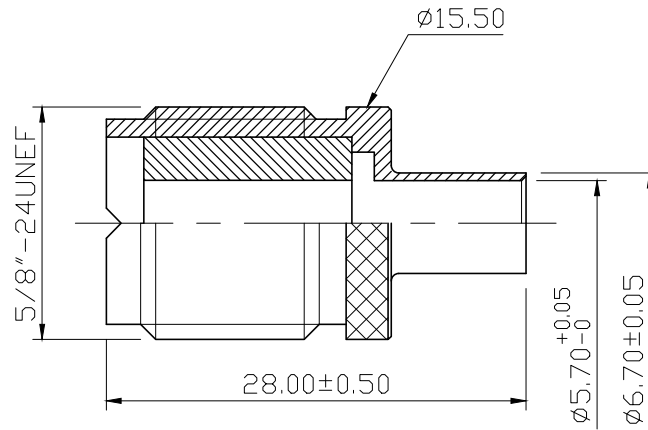



REMARK : RoHS REQUIREMENT APPLIED  
(符合RoHS)



S1 : 1

-						DIMENSIONS ARE IN MILLIMETERS			CHECKED	 <b>雅鈦企業有限公司</b> Aec Connectors Co., Ltd.
-										
-						0.5~6 = ±0.2			DRAWN <i>Jim</i>	TITLE RCA ADAPTOR
-						>6~30 = ±0.4				DRAWING NO. US-1017NDG-SC1120
-	pin	1	brass	gold		>30~120 = ±0.6			DATE 2011. 01. 19	FILE NO. DRAWING\RFUSUS-1017NDG-SC1120
-	insulator	1	delrin	white		>120~315 = ±1				
-	body	1	brass	nickel		>315~1000 = ±1.6				
NO.	Description	Unit	Materials	Finish	Drawing No.	SCALE	2 : 1	UNIT	MM	