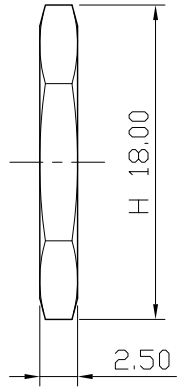
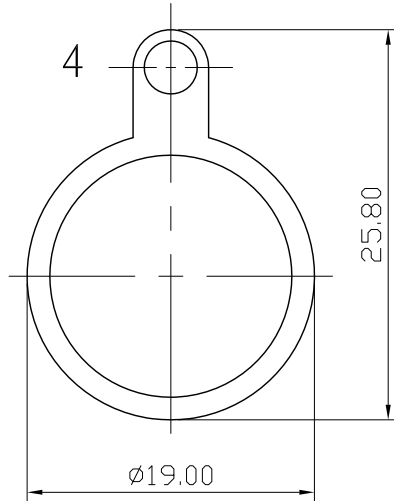


No.	DATE	DESCRIPTION	REV	REMARK : RoHS REQUIREMENT APPLIED (符合RoHS)	DATE	DRAWING NO.
△1	2011. 01. 17	Original dimation 25.3±0.5mm.	A		2011. 01. 17	US-1032NG-DEL(50)
△2	2011. 01. 17	Original dimation 5.80±0.20mm.	A			

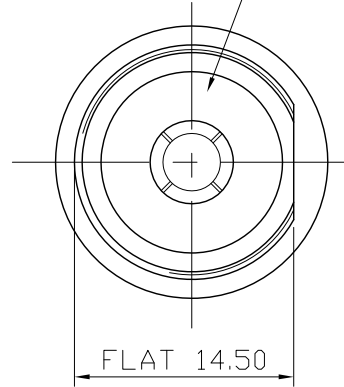
5



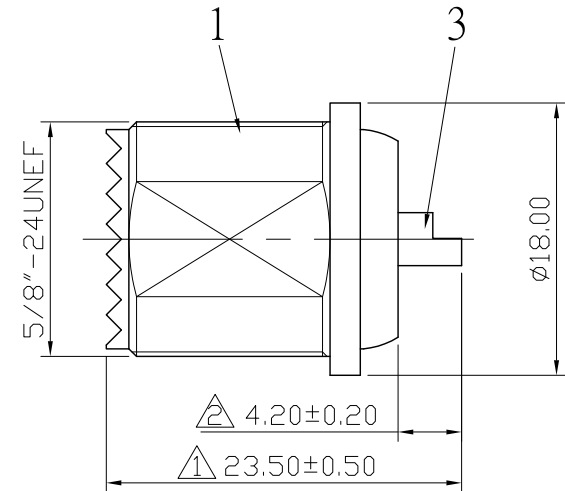
4



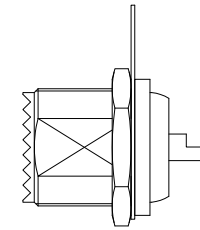
2




1



3



S 1 : 1

7						DIMENSIONS ARE IN MILLIMETERS	CHECKED	 <b>雅鈦企業有限公司</b> Aec Connectors Co., Ltd.	
6									UNLESS OTHERWISE PECIFIED TOLERANCES (一般公差)
5	nut	1	brass	nickel		0.5~6 = ±0.2	DRAWN <i>Tina</i>	TITLE UHF FEMALE BULKHEAD	
4	ground tab	1	steel	nickel		>6~30 = ±0.4		DATE 2011. 01. 18	DRAWING NO. US-1018NDG-SB0020
3	contact pin	1	brass	gold		>30~120 = ±0.6		FILE NO. DRAWINGRUFUSUS-1018NDG-SB0020	
2	insulator	1	POM	white		>120~315 = ±1			
1	body	1	brass	nickel		>315~1000 = ±1.6			
NO.	Description	Unit	Materials	Finish	Drawing No.	SCALE	2 : 1	UNIT	MM