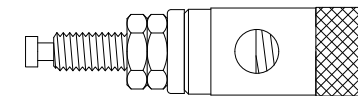
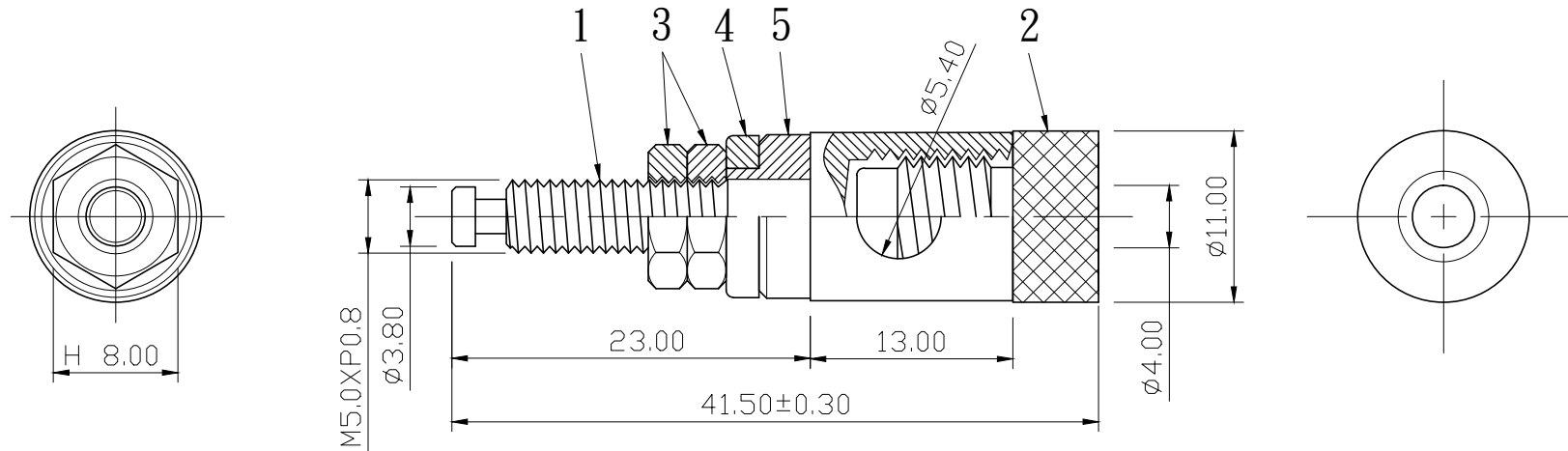



REMARK : RoHS REQUIREMENT APPLIED  
(符合RoHS)



S 1 : 1

7						DIMENSIONS ARE IN MILLIMETERS  UNLESS OTHERWISE PECIFIED TOLERANCES (一般公差) 0.5~6 = ±0.2 >6~30 = ±0.4 >30~120 = ±0.6 >120~315 = ±1 >315~1000 = ±1.6 ANGLES(角度) = ±5°			CHECKED		 雅鈦企業有限公司 Aec Connectors Co., Ltd.	
6					DRAWN				TITLE			
5	washer	1	plastic	red/black					<i>Lafa</i>		DRAWING NO.	
4	washer	1	plastic	red/black					DATE		BI-104GG-SH5.4-RD/BK-20mm	
3	hexagon nut	2	brass	gold					2008. 12. 18		FILE NO. DRAWING\AUDIO\BI\BI-104GG-SH5.4-RD/BK-20mm	
2	headlock	1	brass	gold		SCALE	2 : 1	UNIT	MM			
1	body	1	brass	gold								
NO.	Description	Unit	Materials	Finish	Drawing No.							