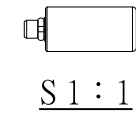
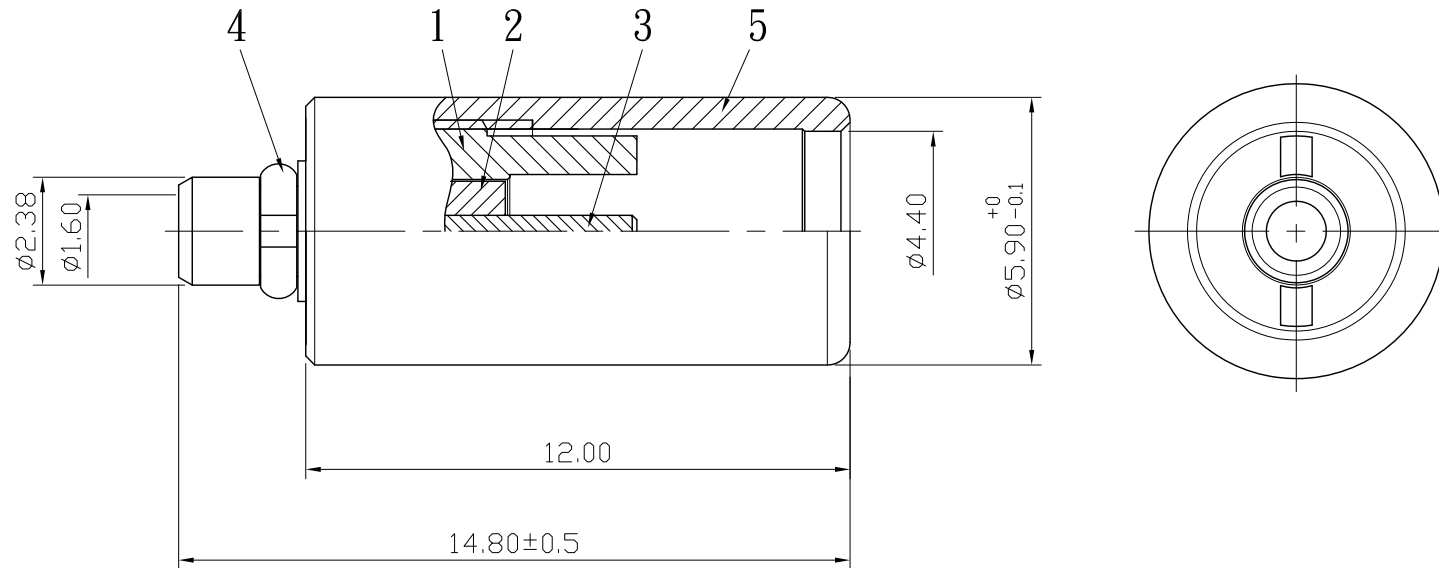



No.	DATE	DESCRIPTION	REV	REMARK : RoHS REQUIREMENT APPLIED (符合RoHS)	DATE	DRAWING NO.
-----	------	-------------	-----	---	------	-------------



-						DIMENSIONS ARE IN MILLIMETERS UNLESS OTHERWISE PECIFIED TOLERANCES (一般公差) 0.5~6 = ±0.2 >6~30 = ±0.4 >30~120 = ±0.6 >120~315 = ±1 >315~1000 = ±1.6 ANGLES(角度) = ±5°	CHECKED	 雅鈦企業有限公司 Aec Connectors Co., Ltd.	
-									TITLE
5	shell	1	aluminum	clear anodic treatment			DRAWN		MMCX PLUG
4	c ring	1	beryllium copper	gold			<i>Chad</i>		DRAWING NO.
3	contact pin	1	brass	gold			DATE		MX-1018GTG-SF0015
2	insulator	1	PTFE	white		2017. 01. 17	FILE NO. DRAWINGRFRMXMX-1018GTG-SF0015		
1	body	1	brass	gold					
NO.	Description	Unit	Materials	Finish	Drawing No.	SCALE 6 : 1 UNIT MM			