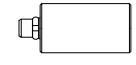
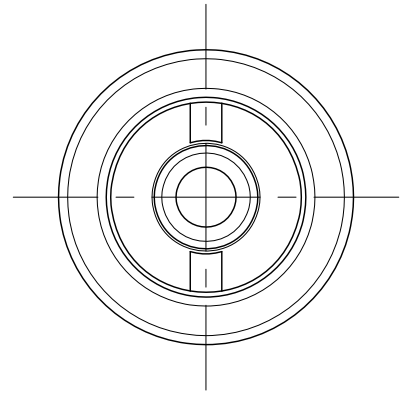
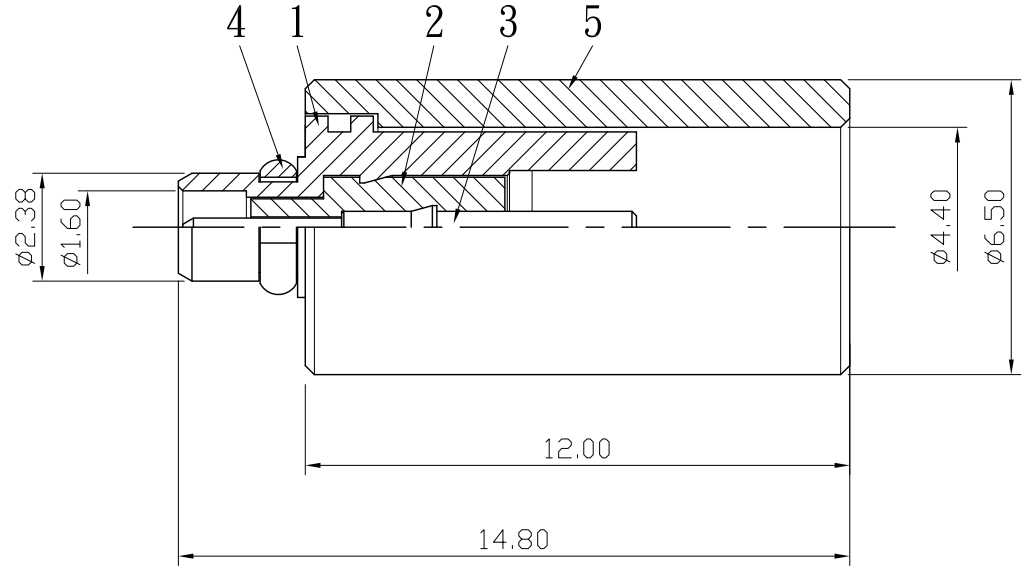



No.	DATE	DESCRIPTION	REV	REMARK : RoHS REQUIREMENT APPLIED (符合RoHS)	DATE	DRAWING NO.
-----	------	-------------	-----	---	------	-------------



S 1 : 1

-						DIMENSIONS ARE IN MILLIMETERS			CHECKED	 雅鈦企業有限公司 Aec Connectors Co., Ltd.
-						UNLESS OTHERWISE SPECIFIED TOLERANCES (一般公差)				
5	shell	1	aluminum	clear anodic treatment	IPSL0001AL-AT	0.5~6 = ±0.2			DRAWN	MMCX PLUG
4	c ring	1	beryllium copper	gold	MXCG0001BE-G	>6~30 = ±0.4			Sun	DRAWING NO.
3	contact pin	1	brass	gold	MXCP0001BR-G	>30~120 = ±0.6			DATE	MX-1012GTG-SF0015
2	insulator	1	PTFE	white	MXIR0001TF	>120~315 = ±1			2014. 11. 24	FILE NO.
1	body	1	brass	gold	MXBY0001BR-G	>315~1000 = ±1.6				DRAWINGRFRFMXMX-1012GTG-SF0015
NO.	Description	Unit	Materials	Finish	Drawing No.	SCALE	6 : 1	UNIT	MM	