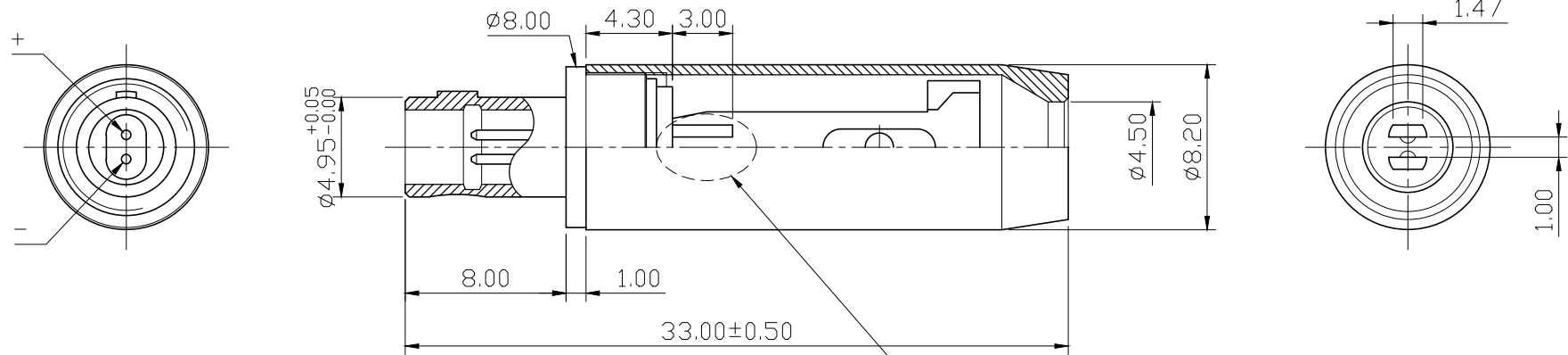
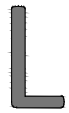
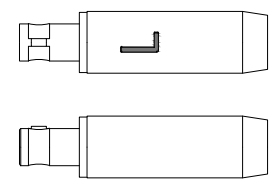


No.	DATE	DESCRIPTION	REV
△	2018.04.16	Drawing revised	A


REMARK : RoHS REQUIREMENT APPLIED  
(符合RoHS)



LOGO PAINTING : WHITE  
THE DIRECTION OF THIS LOGO  
CAN'T BE THE SAME  
PLEASE REFER TO THE FONT  
OF THE SAMPLE

S1 : 1

-						DIMENSIONS ARE IN MILLIMETERS			CHECKED	 <b>雅鈦企業有限公司</b> Aec Connectors Co., Ltd.
6	shell	1	aluminum	matte black anodic treatment		UNLESS OTHERWISE SPECIFIED TOLERANCES (一般公差)			DRAWN <b>Otis</b>	
5	clip	1	brass	gold		0.5~6 = $\pm 0.2$				
4	ring	1	aluminum	matte black anodic treatment		>6~30 = $\pm 0.4$				
3	body	1	aluminum	matte black anodic treatment		>30~120 = $\pm 0.6$				
2	insulator	1	PEEK	brown		>120~315 = $\pm 1$				
1	contact pin	2	brass	gold		>315~1000 = $\pm 1.6$			DATE 2017.03.08	
NO.	Description	Unit	Materials	Finish	Drawing No.	SCALE	3 : 1	UNIT	MM	FILE NO. DRAWING/AUDIO/PIIP-210MBATG-PEEK-4.5-L