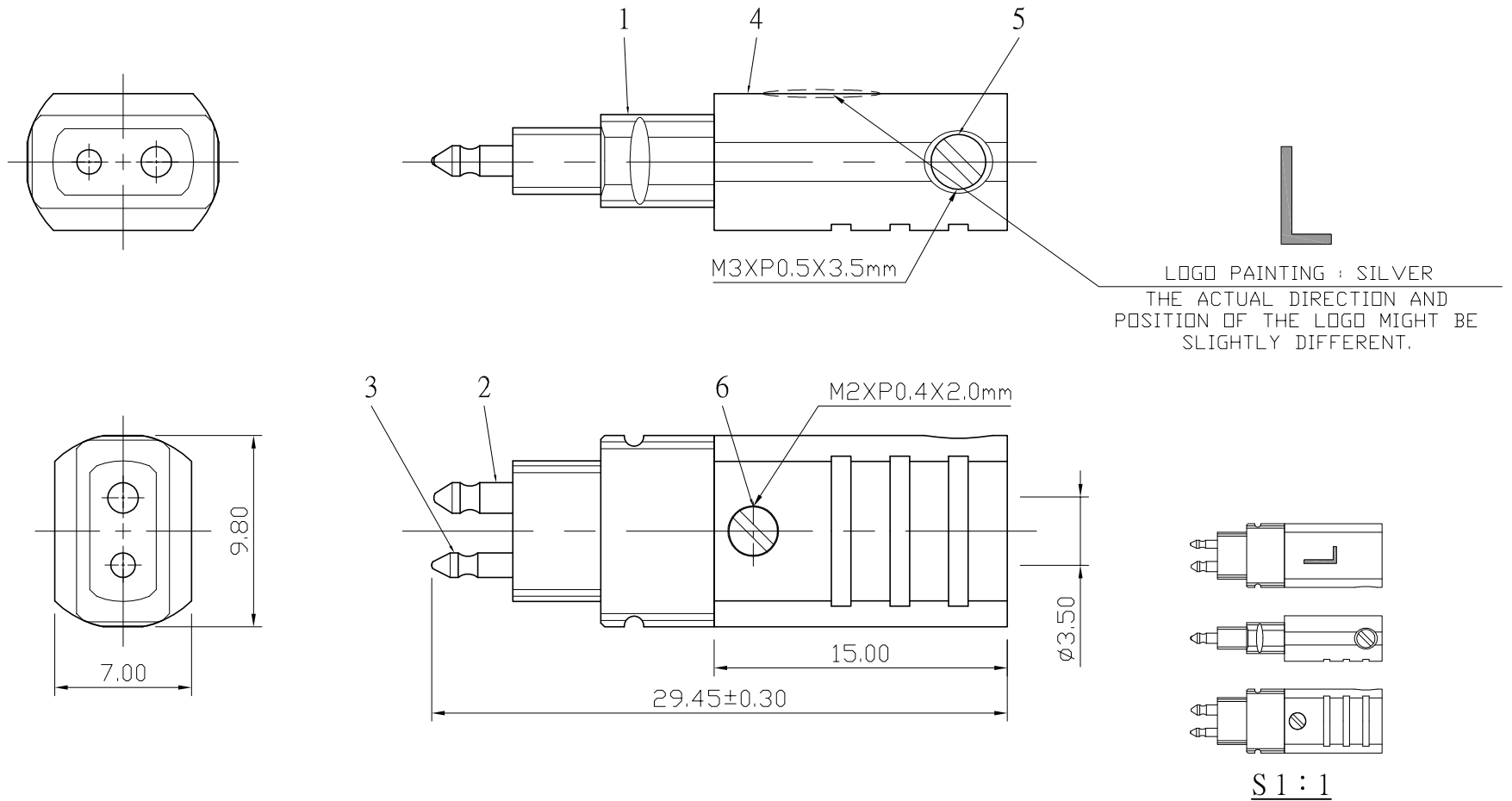



REMARK : RoHS REQUIREMENT APPLIED
(符合RoHS)



NO.	Description	Unit	Materials	Finish	SCALE	3 : 1	UNIT	MM	CHECKED	DATE	FILE NO.	TITLE		
7					DIMENSIONS ARE IN MILLIMETERS UNLESS OTHERWISE SPECIFIED TOLERANCES (一般公差) 0.5~6 = ±0.2 >6~30 = ±0.4 >30~120 = ±0.6 >120~315 = ±1 >315~1000 = ±1.6 ANGLES(角度) = ±5°							 雅鈦企業有限公司 Aec Connectors Co., Ltd.		
6	screw	1	brass	gold										
5	screw	1	brass	gold										2P IEM PLUG
4	shell	1	aluminum	matte black anodic treatment										DRAWING NO.
3	contact pin	1	brass	gold										IP-101MBATG-TEF-3.5-L
2	contact pin	1	brass	gold										DRAWING NO.
1	insulator	1	PTFE	white										IP-101MBATG-TEF-3.5-L
										2016. 07. 21	FILE NO.	DRAWING\AUDIO\IP\IP-101MBATG-TEF-3.5-L		