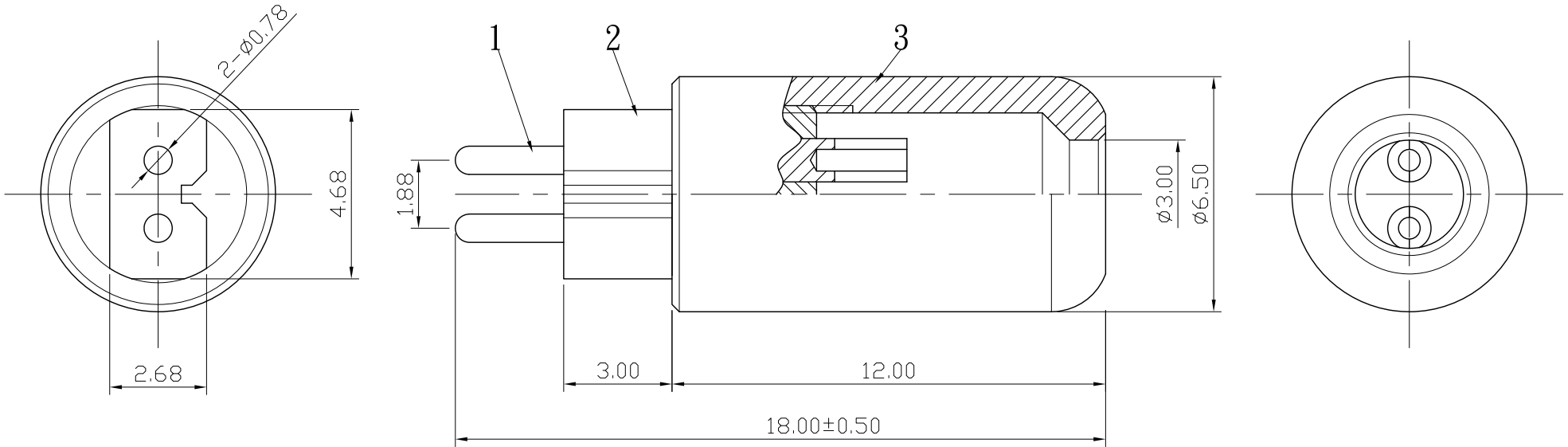
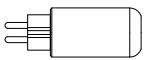



REMARK : RoHS REQUIREMENT APPLIED
(符合RoHS)




S 1 : 1

NO.	Description	Unit	Materials	Finish	Drawing No.	SCALE	6 : 1	UNIT	MM	CHECKED	DATE	FILE NO.					
-						DIMENSIONS ARE IN MILLIMETERS UNLESS OTHERWISE SPECIFIED TOLERANCES (一般公差) 0.5~6 = ±0.2 >6~30 = ±0.4 >30~120 = ±0.6 >120~315 = ±1 >315~1000 = ±1.6 ANGLES(角度) = ±5°						 雅鈦企業有限公司 Aec Connectors Co., Ltd.					
-																	
-																	
-																	
3	shell	1	aluminum	clear anodic treatment	IPSL0004AL-AT												
2	insulator	1	PEEK	brown	IPIR0004PK-BN					DRAWN							
1	contact pin	2	tellurium copper	gold						<i>Chad</i>							
											2016. 05. 04						
											TITLE	2P IEM PLUG					
											DRAWING NO.	IP-006ATG(Tc)-PEEK-3.0					
											FILE NO.	DRAWING\AUDIO\PIP-006ATG(Tc)-PEEK-3.0					