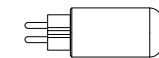
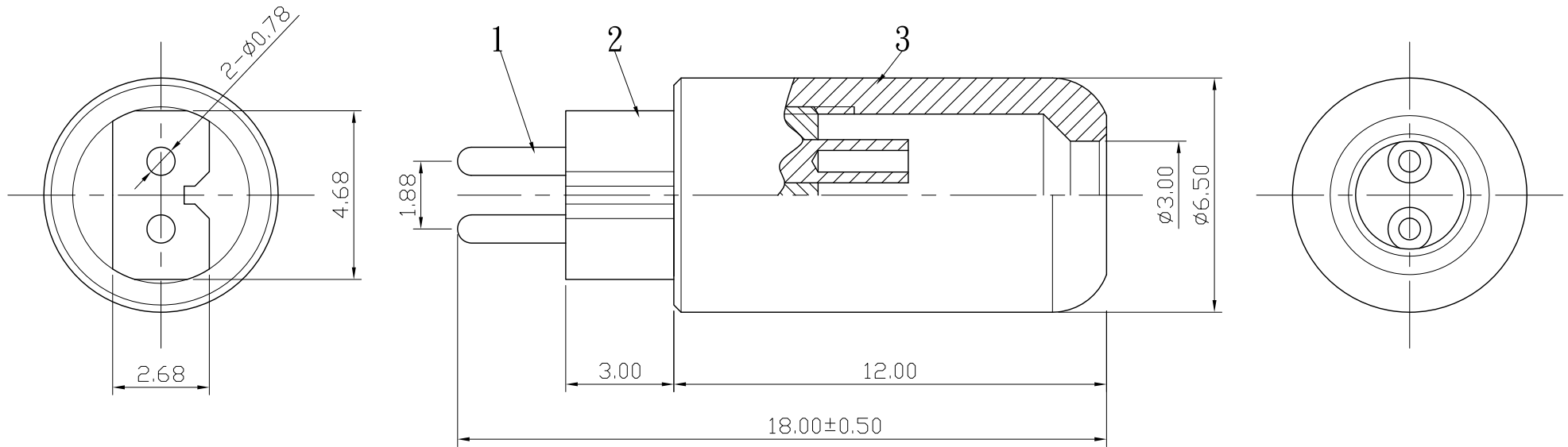



REMARK : RoHS REQUIREMENT APPLIED
(符合RoHS)



S 1 : 1

-						DIMENSIONS ARE IN MILLIMETERS UNLESS OTHERWISE SPECIFIED TOLERANCES (一般公差) 0.5~6 = ±0.2 >6~30 = ±0.4 >30~120 = ±0.6 >120~315 = ±1 >315~1000 = ±1.6 ANGLES(角度) = ±5°	CHECKED	 雅鈦企業有限公司 Aec Connectors Co., Ltd.	
-							DRAWN		TITLE
-							<i>Chad</i>		2P IEM PLUG
3	shell	1	aluminum	clear anodic treatment	IPSL0004AL-AT		DATE	DRAWING NO.	
2	insulator	1	PEEK	brown	IPIR0004PK-BN		2016. 05. 04	IP-005ATG(Tc)-PEEK-3.0	
1	contact pin	2	tellurium copper	gold		FILE NO.	DRAWINGVAUDIOMP/IP-005ATG(Tc)-PEEK-3.0		
NO.	Description	Unit	Materials	Finish	Drawing No.	SCALE	6 : 1	UNIT	MM