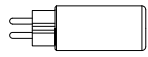
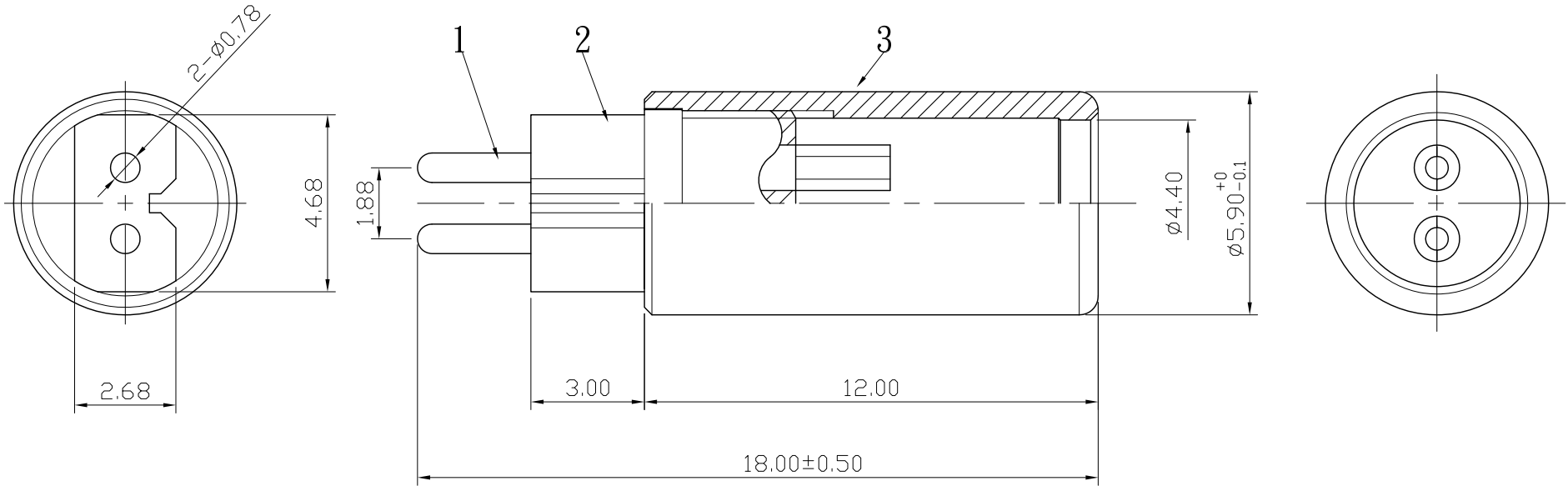



REMARK : RoHS REQUIREMENT APPLIED
(符合RoHS)



S 1 : 1

-						DIMENSIONS ARE IN MILLIMETERS UNLESS OTHERWISE SPECIFIED TOLERANCES (一般公差) 0.5~6 = ±0.2 >6~30 = ±0.4 >30~120 = ±0.6 >120~315 = ±1 >315~1000 = ±1.6 ANGLES(角度) = ±5°	CHECKED	 雅鈦企業有限公司 Aec Connectors Co., Ltd.	
-							DRAWN		TITLE
-								<i>Chad</i>	2P IEM PLUG
-								DATE	DRAWING NO.
3	shell	1	aluminum	clear anodic treatment			2015. 12. 16	IP-004ATG-POM-4.4	
2	insulator	1	POM	black	IPIR0003PM-BK			FILE NO. DRAWINGAUDIOIPIP-004ATG-POM-4.4	
1	contact pin	2	brass	gold	IPCP0002BR-G				
NO.	Description	Unit	Materials	Finish	Drawing No.	SCALE	6 : 1	UNIT	MM