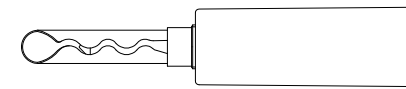
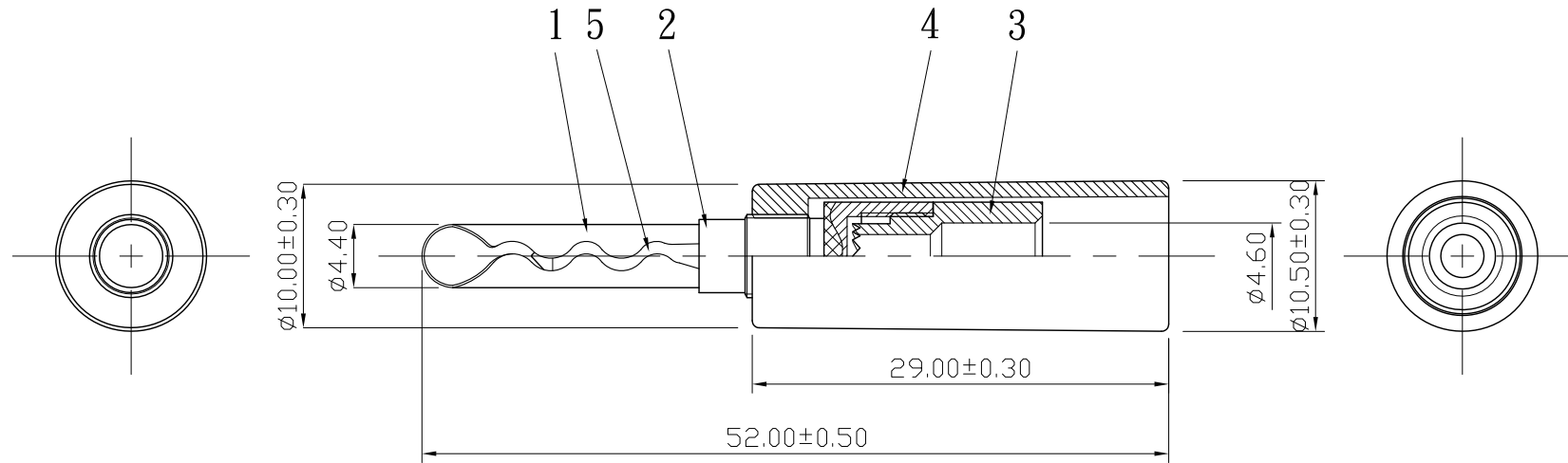



REMARK : RoHS REQUIREMENT APPLIED
(符合RoHS)



S 1 : 1

NO.	Description	Unit	Materials	Finish	Drawing No.	SCALE	2 : 1	UNIT	MM	CHECKED	 雅鈦企業有限公司 Aec Connectors Co., Ltd.				
-						DIMENSIONS ARE IN MILLIMETERS UNLESS OTHERWISE PECIFIED TOLERANCES (一般公差) 0.5~6 = ±0.2 >6~30 = ±0.4 >30~120 = ±0.6 >120~315 = ±1 >315~1000 = ±1.6 ANGLES(角度) = ±5°									
5	contact pin	1	brass	gold											
4	shell	1	plastic	black/red											
3	headlock	1	brass	gold											
2	body	1	brass	gold											
1	contact pin	1	phosphor bronze	gold											
											TITLE				
											BANANA PLUG				
											DRAWING NO.				
											BP-4041BK/RDPLG(PB)-4.6				
											FILE NO. DRAWING\AUDIO\BP\BP-4041BK/RDPLG(PB)-4.6				