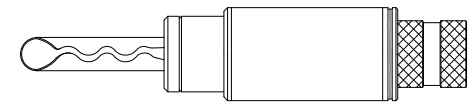
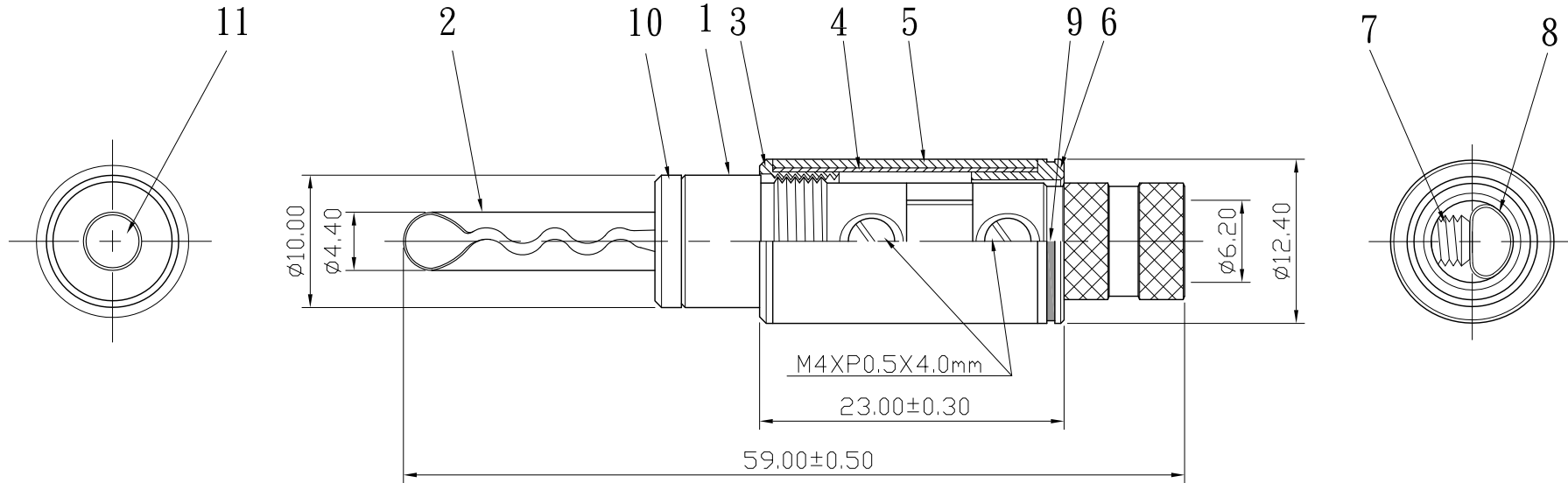


No.	DATE	DESCRIPTION	REV
△1	2010. 03. 17	Drawing to renew 圖面更新	A
△2	2013. 05. 21	Drawing to renew 圖面更新	B
△3	2014. 03. 06	Drawing to renew 圖面更新	C



S 1 : 1

11	pillar	1	brass	gold	
10	headlock	1	brass	gold	
9	color ring	1	dripping	red/black/blue white/yellow/green	
8	sleeve	1	pvc	transparent	
7	screw	2	brass	gold	SCREW-104G-M4XP0.5X4.0mm
6	sleeve	1	brass	gold	
5	shell	1	black carbon fiber	nature	
4	tube	1	brass	nature	
3	headlock	1	brass	gold	
2	contact pin	1	phosphor bronze	gold	
1	body	1	brass	gold	
NO.	Description	Unit	Materials	Finish	Drawing No.

DIMENSIONS ARE IN
MILLIMETERS
UNLESS OTHERWISE PECIFIED
TOLERANCES
(一般公差)
0.5~6 = ±0.2
>6~30 = ±0.4
>30~120 = ±0.6
>120~315 = ±1
>315~1000 = ±1.6
ANGLES(角度) = ±5°

CHECKED

DRAWN

Jim

DATE

2009. 10. 19



雅鈦企業有限公司
Aec Connectors Co., Ltd.

TITLE

BANANA PLUG

DRAWING NO.

BP-4031BKFGG(PB)-RD/BK/BE/WE/YW/GN-6.2

FILE NO. DRAWINGAUDIO\BP\BP-4031BKFGG(PB)-RD/BK/BE/WE/YW/GN-6.2

SCALE 2 : 1 UNIT MM