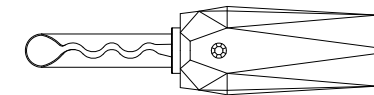
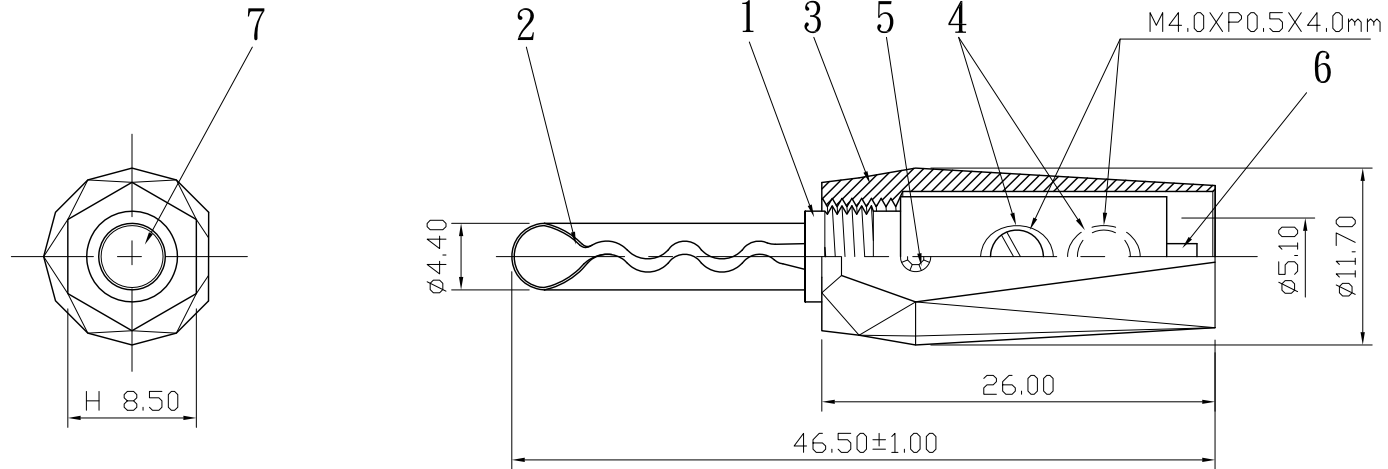



No.	DATE	DESCRIPTION	REV
△	2014. 01. 15	update drawing 圖面更新	A

REMARK : RoHS REQUIREMENT APPLIED
(符合RoHS)



S 1 : 1

7	pillar	1	brass	gold		DIMENSIONS ARE IN MILLIMETERS UNLESS OTHERWISE PECIFIED TOLERANCES (一般公差) 0.5~6 = ±0.2 >6~30 = ±0.4 >30~120 = ±0.6 >120~315 = ±1 >315~1000 = ±1.6 ANGLES(角度) = ±5°	CHECKED	 雅鈦企業有限公司 Aec Connectors Co., Ltd.	
6	sleeve	1	pvc	transparent					TITLE
5	swarovski	1	crystal	white			DRAWN		BANANA PLUG
4	screw	2	brass	gold	SCREW-104G-M4XP0.5X4.0mm		<i>Jim</i>		DRAWING NO.
3	shell	1	brass	satin nickel + topcoat			DATE		BP-401SNG(PB)+P-5.1
2	contact pin	1	phosphor bronze	gold			2009. 01. 07	FILE NO.	
1	body	1	brass	gold			DRAWING\AUDIO\BP\BP-401SNG(PB)+P-5.1		
NO.	Description	Unit	Materials	Finish	Drawing No.	SCALE	2 : 1	UNIT	MM