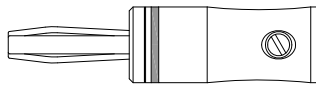
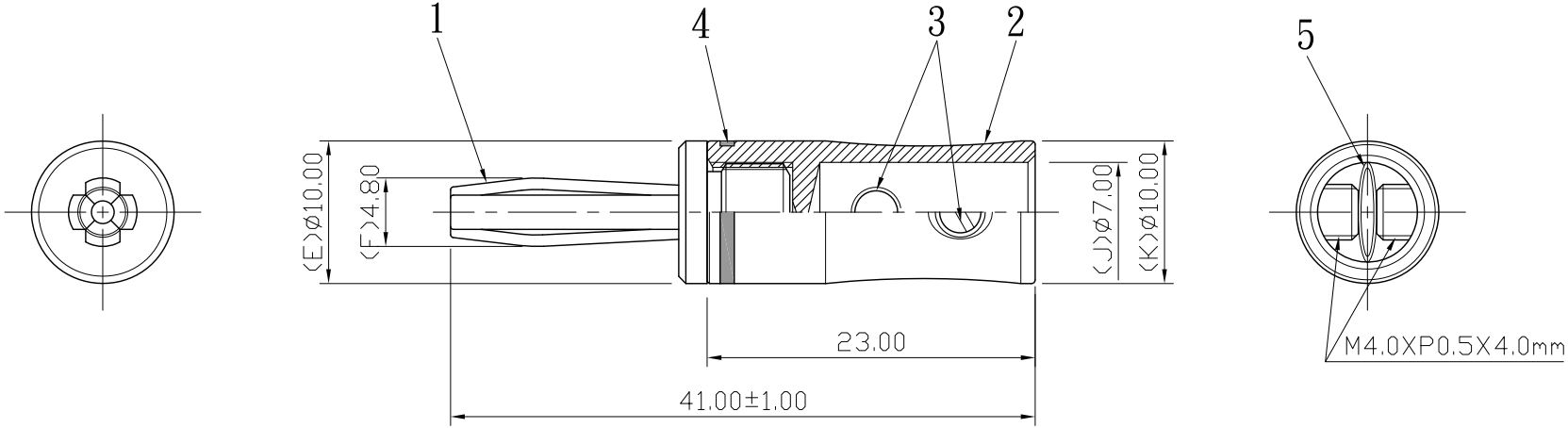



REMARK : RoHS REQUIREMENT APPLIED
(符合RoHS)



S 1 : 1

7						DIMENSIONS ARE IN MILLIMETERS UNLESS OTHERWISE SPECIFIED TOLERANCES (一般公差) 0.5~6 = ±0.2 >6~30 = ±0.4 >30~120 = ±0.6 >120~315 = ±1 >315~1000 = ±1.6 ANGLES(角度) = ±5°	CHECKED	 雅鈦企業有限公司 Aec Connectors Co., Ltd.	
6					DRAWN <i>Tina</i>				
5	sleeve	1	PVC	transparent					DATE 2013. 05. 27
4	color ring	1	PVC	black/red/blue white/yellow/green					DRAWING NO. BP-335GG-BK/RD/WE-7.0
3	screw	2	brass	gold	SCREW-104G-M4XP0.5X4.0mm				FILE NO. DARWING\AUDIO\BP\BP-335GG-BK/RD/WE-7.0
1	terminal	1	brass	gold					
NO.	Description	Unit	Materials	Finish	Drawing No.	SCALE	UNIT	MM	