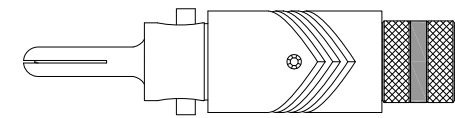
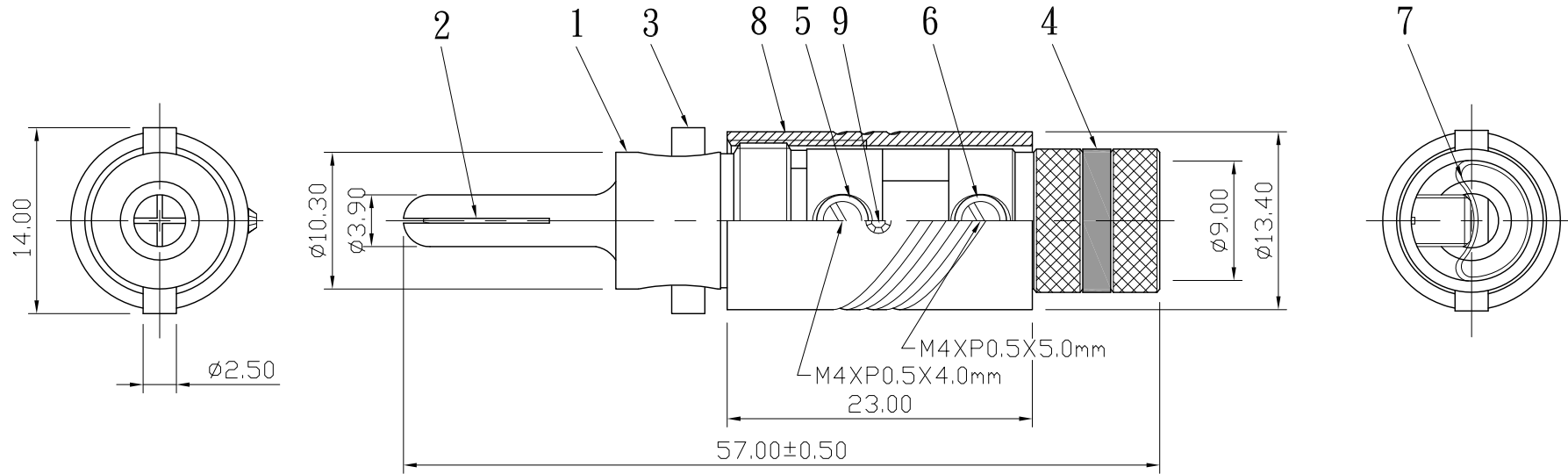


REMARK : RoHS REQUIREMENT APPLIED
(符合RoHS)



S 1 : 1

9	swarovski	1	crystal	white	
8	shell	1	brass	satinn gold	
7	ferrule	1	PVC	transparent	
6	screw	1	brass	gold	SCREW-104G-M4XP0.5X5.0mm
5	screw	1	brass	gold	SCREW-104G-M4XP0.5X4.0mm
4	color ring	1	pvc	black/red/white	
3	cleat	1	brass	gold	
2	contact pin	1	brass	gold	
1	body	1	brass	gold	
NO.	Description	Unit	Materials	Finish	Drawing No.

DIMENSIONS ARE IN MILLIMETERS
UNLESS OTHRWISE PECIFIED TOLERANCES
(一般公差)
0.5~6 = ±0.2
>6~30 = ±0.4
>30~120 = ±0.6
>120~315 = ±1
>315~1000 = ±1.6
ANGLES(角度) = ±5°

CHECKED

DRAWN
Tina
DATE
2012. 01. 17

 雅鈦企業有限公司
Aec Connectors Co., Ltd.

TITLE
BANANA PLUG

DRAWING NO.
BP-332SGG-BK/RD/WE-9.0

FILE NO. DRAWING\AUDIO\BP\BP-332SGG-BK/RD/WE-9.0