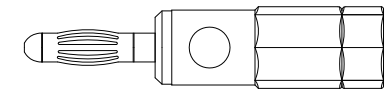
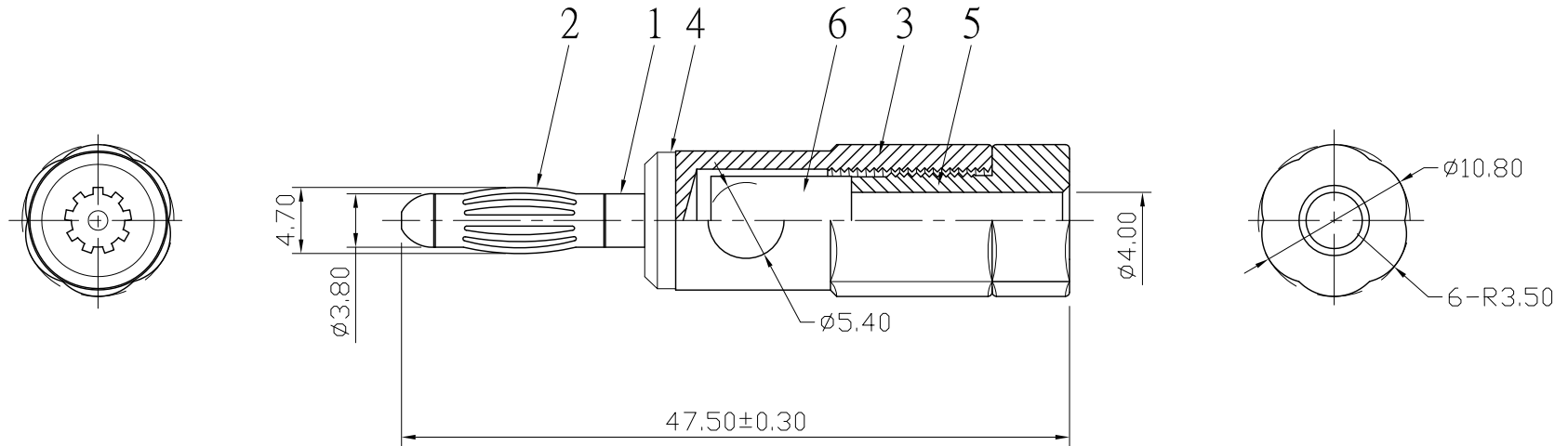


REMARK : RoHS REQUIREMENT APPLIED
(符合RoHS)



S 1 : 1

NO.	Description	Unit	Materials	Finish	Drawing No.	SCALE	2 : 1	UNIT	MM	CHECKED	DATE	FILE NO.
7						DIMENSIONS ARE IN MILLIMETERS UNLESS OTHERWISE PECIFIED TOLERANCES (一般公差) 0.5~6 = ±0.2 >6~30 = ±0.4 >30~120 = ±0.6 >120~315 = ±1 >315~1000 = ±1.6 ANGLES(角度) = ±5°						
6	pillar	1	brass	gold								
5	headlock	1	brass	gold								
4	gasket	1	plastic	red/black								
3	shell	1	brass	gold								
2	contact pin	1	beryllium copper	gold								
1	body	1	brass	gold								
DRAWING NO. BP-331GG(BeCu)-SH5.4-BK/RD-4.0												
FILE NO. DRAWING\AUDIO\BP\BP-331GG(BeCu)-SH5.4-BK/RD-4.0												



雅鈦企業有限公司
Aec Connectors Co., Ltd.

TITLE **BANANA PLUG**
 DRAWING NO. **BP-331GG(BeCu)-SH5.4-BK/RD-4.0**
 FILE NO. DRAWING\AUDIO\BP\BP-331GG(BeCu)-SH5.4-BK/RD-4.0

DRAWN *Lala*
 DATE 2008. 11. 14