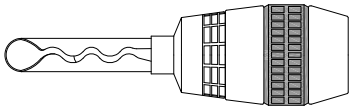
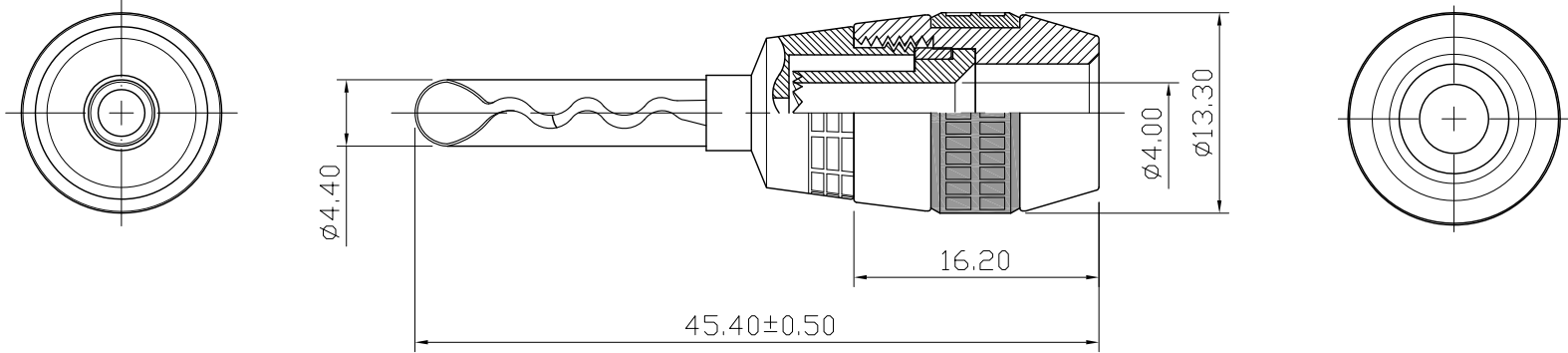



REMARK : RoHS REQUIREMENT APPLIED
(符合RoHS)



S 1 : 1

-	contact pin	1	brass	gold		DIMENSIONS ARE IN MILLIMETERS UNLESS OTHERWISE PECIFIED TOLERANCES (一般公差) 0.5~6 = ±0.2 >6~30 = ±0.4 >30~120 = ±0.6 >120~315 = ±1 >315~1000 = ±1.6 ANGLES(角度) = ±5°	CHECKED	 雅鈦企業有限公司 Aec Connectors Co., Ltd.	
-	contact pin	1	phosphor bronze	gold					DRAWN <i>Lala</i>
-	ring	1	brass	gold			DATE 2008. 09. 04		
-	body	1	brass	gold				FILE NO. DRAWING\AUDIO\BP\BP-329MBCG(PB)-BK/RD-4.0	
-	color ring	1	rubber	black/red					
-	shell	1	brass	matte black coated					
-	body	1	brass	gold					
NO.	Description	Unit	Materials	Finish	Drawing No.	SCALE	2 : 1	UNIT	MM