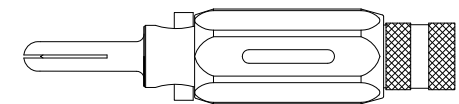
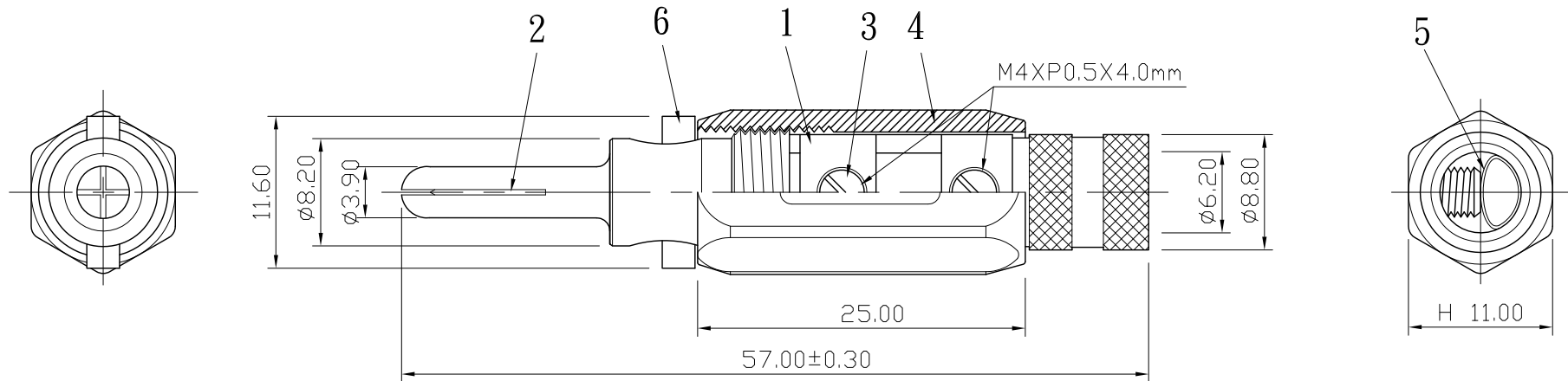



No.	DATE	DESCRIPTION	REV
△	2009. 08. 20	Drawing to renew 圖面更新	A

REMARK : RoHS REQUIREMENT APPLIED
(符合RoHS)



S 1 : 1

7						DIMENSIONS ARE IN MILLIMETERS UNLESS OTHERWISE SPECIFIED TOLERANCES (一般公差) 0.5~6 = ±0.2 >6~30 = ±0.4 >30~120 = ±0.6 >120~315 = ±1 >315~1000 = ±1.6 ANGLES(角度) = ±5°	CHECKED	 雅鈦企業有限公司 Aec Connectors Co., Ltd.	
6	cleat	1	brass	nickel			DRAWN <i>Lala</i>		TITLE BANANA PLUG
5	sleeve	1	pvc	transparent					DATE 2007. 12. 11
4	shell	1	brass	satn black+topcoat				FILE NO. DRAWING\AUDIO\BP\BP-322SBKRh+P-6.2	
3	screw	2	brass	nickel	SCREW-104N-M4XP0.5X4.0mm				
2	contact pin	1	brass	nickel					
1	body	1	brass	rhodium					
NO.	Description	Unit	Materials	Finish	Drawing No.	SCALE	2 : 1	UNIT	MM