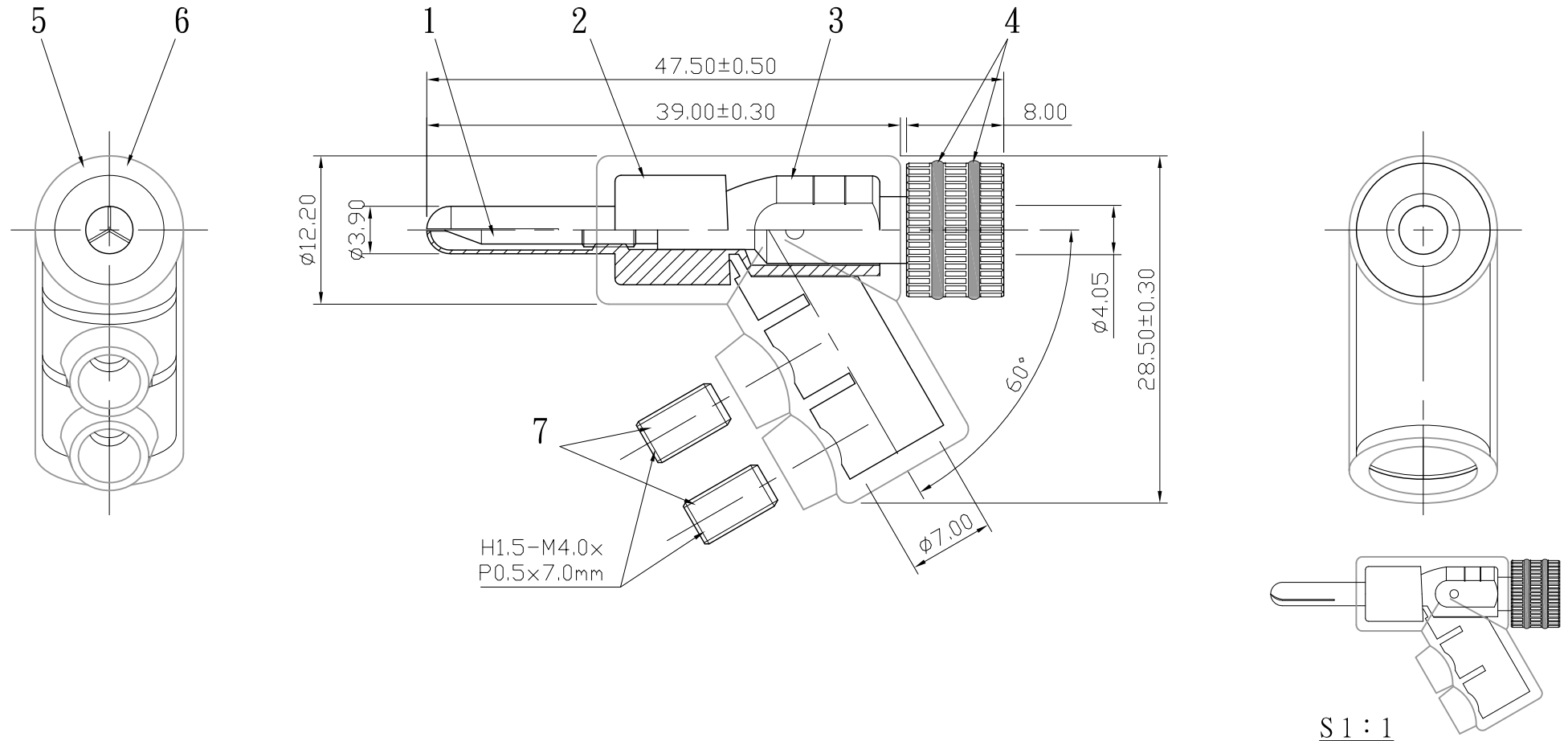


No.	DATE	DESCRIPTION	REV
2	2014. 10. 09	Drawing updated	B
3	2015. 01. 06	Drawing updated	C

REMARK : RoHS REQUIREMENT APPLIED
(符合RoHS)



NO.	Description	Unit	Materials	Finish	Drawing No.	SCALE	2 : 1	UNIT	MM	CHECKED	雅鈦企業有限公司 Aec Connectors Co., Ltd.	
7	screw	2	brass	gold	ZZSW0006BR-G	DIMENSIONS ARE IN MILLIMETERS UNLESS OTHERWISE SPECIFIED TOLERANCES (一般公差) 0.5~6 = ±0.2 >6~30 = ±0.4 >30~120 = ±0.6 >120~315 = ±1 >315~1000 = ±1.6 ANGLES(角度) = ±5°	2 : 1	UNIT	MM	DRAWN <i>Otis</i>	DATE 2008. 04. 10	TITLE BANANA PLUG
6	shell	1	亞克力耐衝擊 (PMMA) MITSUBISHI (IRD70)	transparent	BPSL0002PA							DRAWING NO. BP-316GG-RD/BK/WE-7.0
5	shell	1	亞克力耐衝擊 (PMMA) MITSUBISHI (IRD70)	transparent	BPSL0001PA							FILE NO. DRAWING\AUDIO\BP\BP-316GG-RD/BK/WE-7.0
4	color ring	2	rubber	red/black/white	ZZCR0001RU-XX							
3	body	1	brass	gold	BPBY0006BR-G							
2	body	1	brass	gold	BPBY0005BR-G							
1	contact pin	1	brass	gold	BPCP0002BR-G							