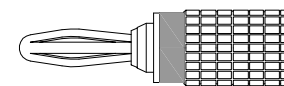
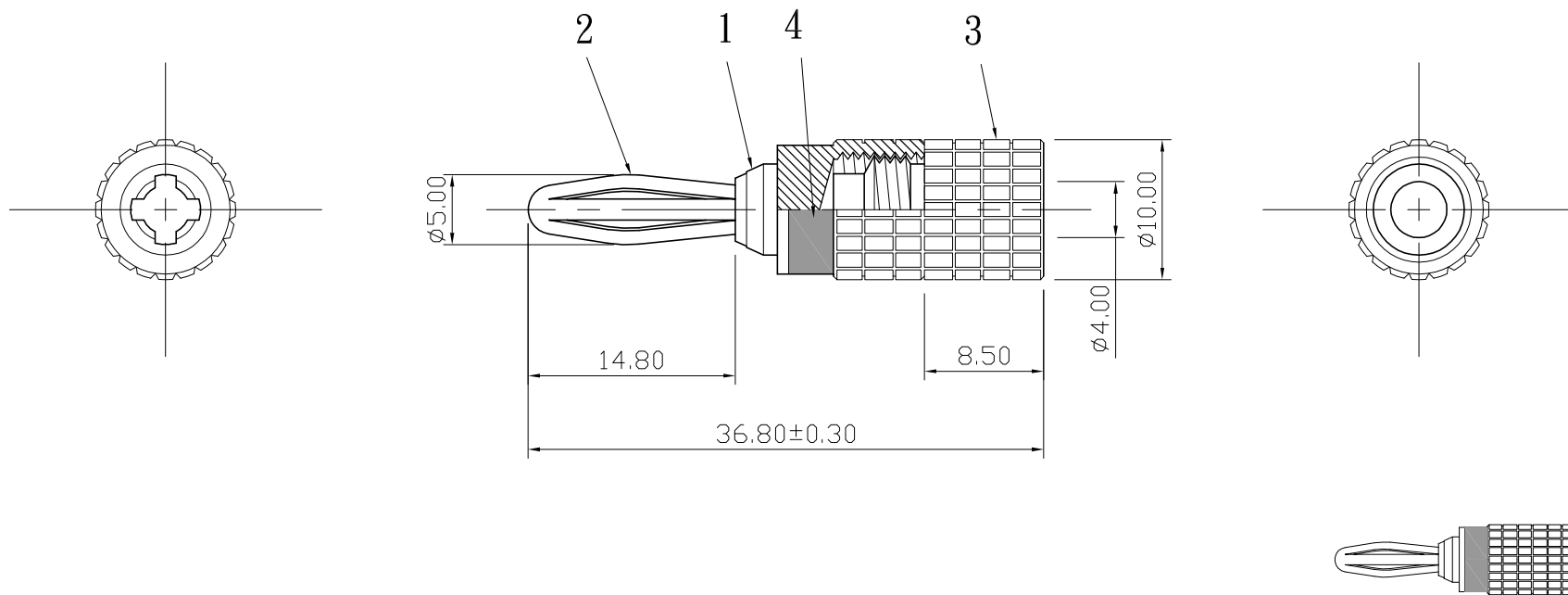



No.	DATE	DESCRIPTION	REV
△	2016. 08. 30	Drawing to renew 圖面更新	A

REMARK : RoHS REQUIREMENT APPLIED  
(符合RoHS)



S 1 : 1

-						DIMENSIONS ARE IN MILLIMETERS  UNLESS OTHERWISE SPECIFIED TOLERANCES (一般公差) 0.5~6 = ±0.2 >6~30 = ±0.4 >30~120 = ±0.6 >120~315 = ±1 >315~1000 = ±1.6 ANGLES(角度) = ±5°	CHECKED	 雅鈦企業有限公司 Aec Connectors Co., Ltd.			
-					DRAWN		TITLE				
-							<i>Chad</i>	BANANA PLUG			
4	color ring	1	pvc	black/red				DRAWING NO.			
3	headlock	1	brass	gold			BP-315GG-BK/RD-4.0				
2	contact pin	1	brass	gold			FILE NO. DRAWING\AUDIO\BP\BP-315GG-BK/RD-4.0				
1	body	1	brass	gold							
NO.	Description	Unit	Materials	Finish	Drawing No.	SCALE	2 : 1	UNIT	MM	DATE	2006. 02. 15