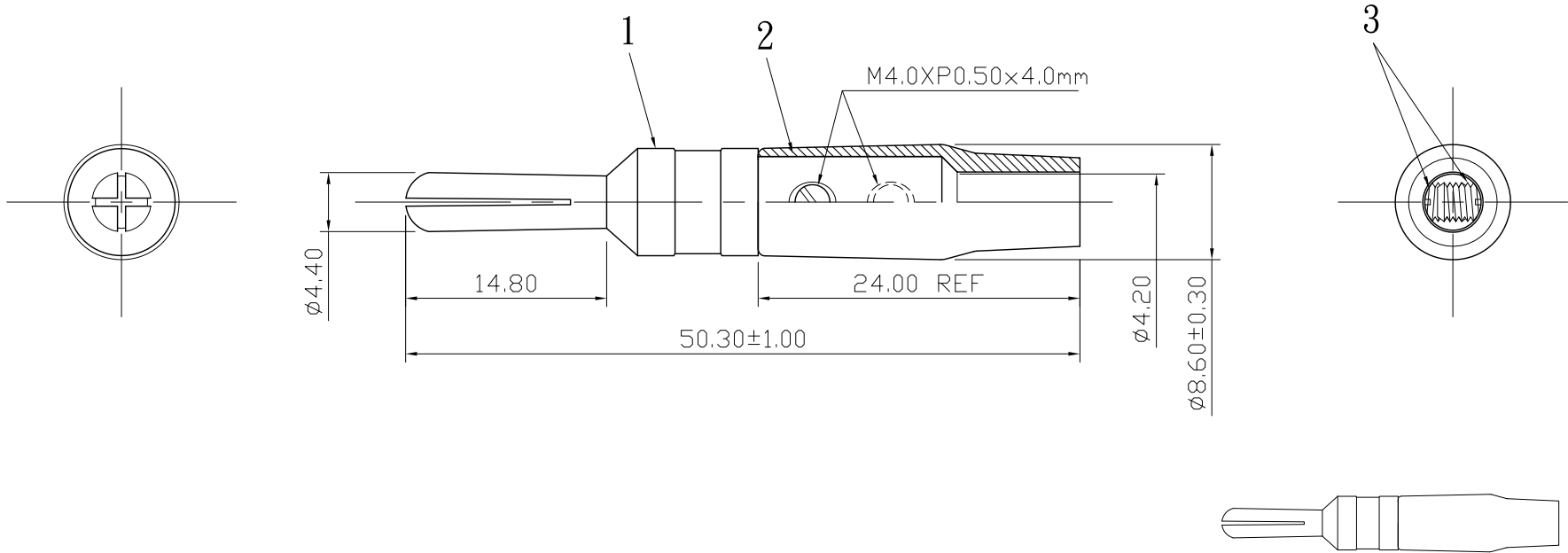



REMARK : RoHS REQUIREMENT APPLIED
(符合RoHS)



S 1 : 1

						DIMENSIONS ARE IN MILLIMETERS UNLESS OTHERWISE PECIFIED TOLERANCES (一般公差) 0.5~6 = ±0.2 >6~30 = ±0.4 >30~120 = ±0.6 >120~315 = ±1 >315~1000 = ±1.6 ANGLES(角度) = ±5°	CHECKED	 雅鈦企業有限公司 Aec Connectors Co., Ltd.					
3	screw	2	brass	gold	SCREW-104G-M4XP0.5X4.0mm		DRAWN		TITLE				
2	shell	1	soft plastic	black/red			<i>Ben</i>	BANANA PLUG					
1	body	1	brass	gold			DATE	DRAWING NO.					
NO.	Description	Unit	Materials	Finish	Drawing No.	SCALE	2 : 1	UNIT	MM	2011. 03. 23	DATE	FILE NO.	DRAWING/AUDIO/BP/BP-314BK/RDsoPLG-4.2