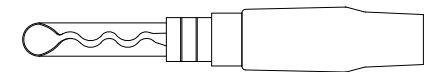
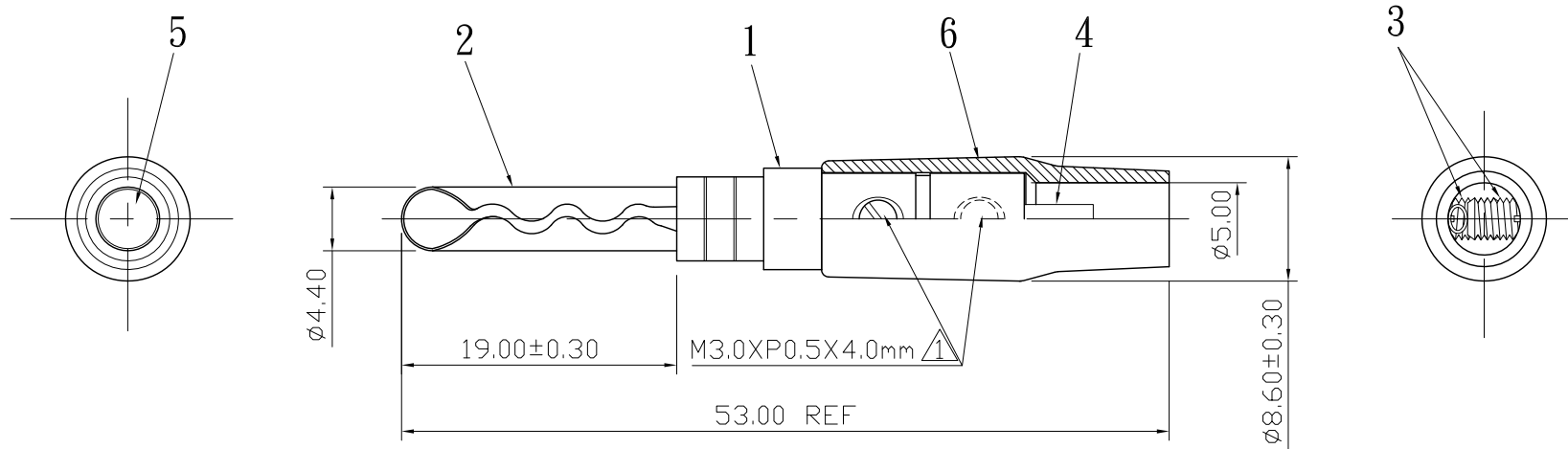



No.	DATE	DESCRIPTION	REV
△	2008. 11. 17	Original dimation M3.0XP0.5X4.5mm	A

REMARK : RoHS REQUIREMENT APPLIED
(符合RoHS)



S 1 : 1

7						DIMENSIONS ARE IN MILLIMETERS UNLESS OTHRWISE PECIFIED TOLERANCES (一般公差) 0.5~6 = ±0.2 >6~30 = ±0.4 >30~120 = ±0.6 >120~315 = ±1 >315~1000 = ±1.6 ANGLES(角度) = ±5°	CHECKED	 雅鈦企業有限公司 Aec Connectors Co., Ltd.
6	shell	1	soft plastic	black/red				
5	pillar	1	brass	gold			DATE 2007. 08. 15	
4	ferrule	1	plastic	transparent			TITLE BANANA PLUG	
3	screw	2	brass	gold	SCREW-103G-M3XP0.5X4.0mm		DRAWING NO. BP-312BK/RDsoPLG-5.0	
2	contact pin	1	phosphor bronze	gold			FILE NO. DRAWING\AUDIO\BP\BP-312BK/RDsoPLG-5.0	
1	body	1	brass	gold				
NO.	Description	Unit	Materials	Finish	Drawing No.	SCALE 2 : 1	UNIT	MM