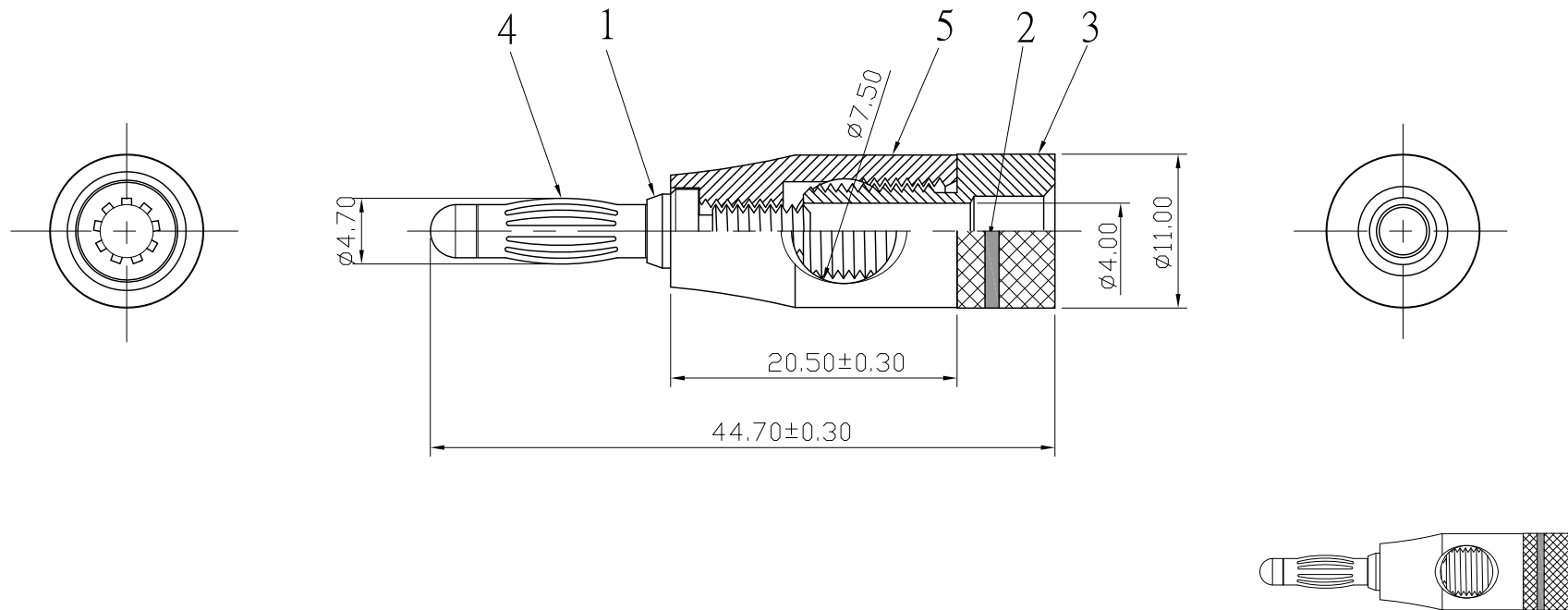



REMARK : RoHS REQUIREMENT APPLIED
(符合RoHS)



S 1 : 1

7						DIMENSIONS ARE IN MILLIMETERS	CHECKED	 雅鈦企業有限公司 Aec Connectors Co., Ltd.			
6									UNLESS OTHERWISE SPECIFIED TOLERANCES (一般公差) 0.5~6 = ±0.2 >6~30 = ±0.4 >30~120 = ±0.6 >120~315 = ±1 >315~1000 = ±1.6 ANGLES(角度) = ±5°	TITLE	BANANA PLUG
5	shell	1	brass	matte black coated		SCALE 2 : 1 UNIT MM	DRAWN <i>Lala</i>	DRAWING NO.	BP-311MBCRh-SH7.5-RD/BK/BE/WE/YW/GN-4.0		
4	contact pin	1	beryllium copper	rhodium				DATE	2009. 05. 22	FILE NO.	DRAWING\AUDIO\BP\BP-311MBCRh-SH7.5-RD/BK/BE/WE/YW/GN-4.0
3	headlock	1	brass	nickel							
2	color ring	1	pvc	red/black/blue white/yellow/green							
1	body	1	brass	rhodium							
NO.	Description	Unit	Materials	Finish	Drawing No.						