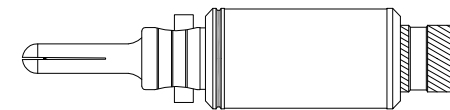
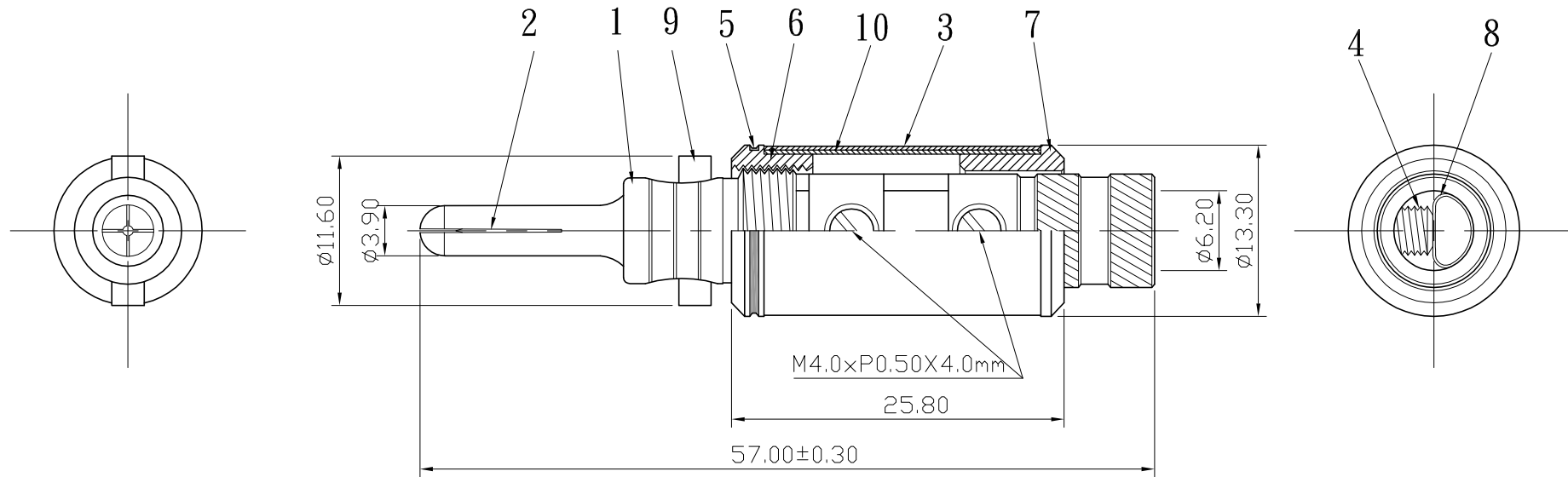


REMARK : RoHS REQUIREMENT APPLIED
(符合RoHS)



S 1 : 1

10	tube	1	brass	nature	
9	cleat	1	brass	gold	
8	sleeve	1	pvc	transparent	
7	sleeve	1	brass	gold	
6	headlock	1	brass	gold	
5	color ring	1	painting	red/black/blue white/yellow/green	
4	screw	2	brass	gold	SCREW-104G-M4XP0.5X4.0mm
3	shell	1	wood	pattern	
2	contact pin	1	brass	gold	
1	body	1	brass	gold	
NO.	Description	Unit	Materials	Finish	Drawing No.

DIMENSIONS ARE IN
MILLIMETERS

UNLESS OTHERWISE PECIFIED
TOLERANCES
(一般公差)

0.5~6 = ±0.2
>6~30 = ±0.4
>30~120 = ±0.6
>120~315 = ±1
>315~1000 = ±1.6
ANGLES(角度) = ±5°

SCALE 2 : 1 UNIT MM

CHECKED

DRAWN
Jim

DATE
2007. 10. 31



雅鈦企業有限公司
Aec Connectors Co., Ltd.

TITLE
BANANA PLUG

DRAWING NO.
BP-309WDG-RD/BK/BE/WE/YW/GN-6.2

FILE NO. DRAWING\AUDIO\BP\BP-309WDG-RD/BK/BE/WE/YW/GN-6.2