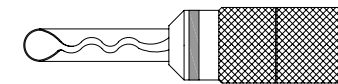
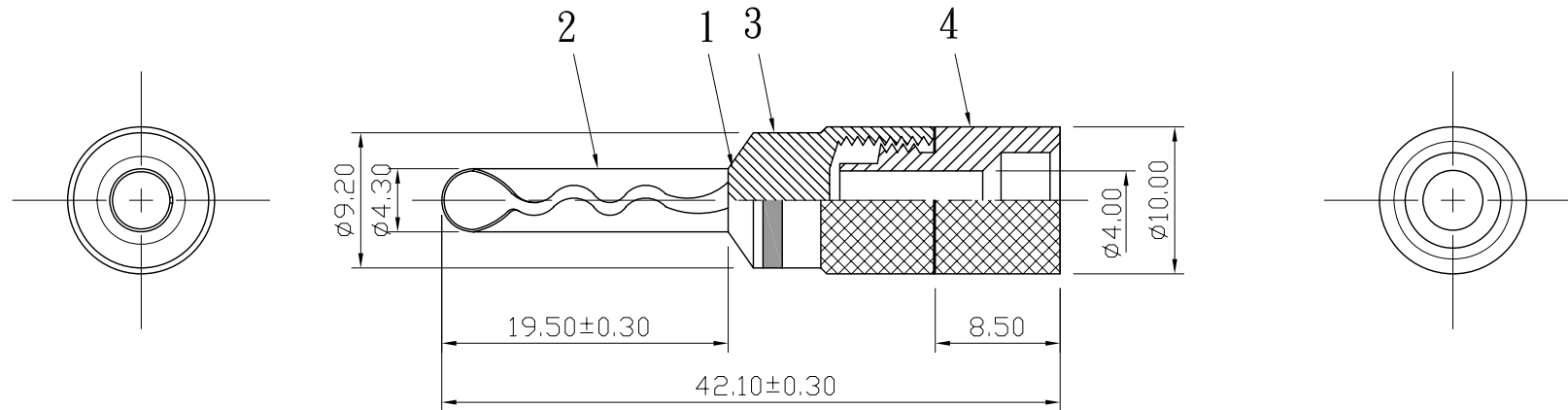



REMARK : RoHS REQUIREMENT APPLIED  
(符合RoHS)



S 1 : 1

7						DIMENSIONS ARE IN MILLIMETERS  UNLESS OTHERWISE SPECIFIED TOLERANCES (一般公差) 0.5~6 = ±0.2 >6~30 = ±0.4 >30~120 = ±0.6 >120~315 = ±1 >315~1000 = ±1.6 ANGLES(角度) = ±5°	APPROVED	 雅鈦企業有限公司 Aec Connectors Co., Ltd.	
6					CHECKED		TITLE		
5							DRAWN	BANANA PLUG	
4	headlock	1	brass	gold			Lala	DRAWING NO.	
3	painted ring	1	painting	red/black/blue white/yellow/green	BODY-BP-303G(PB)G			BP-307GG(PB)-RD/BK/BE/WE/YW/GN-4.0	
2	contact pin	1	phosphor bronze	gold			DATE	FILE NO. DRAWING\AUDIO\BP\BP-307GG(PB)-RD/BK/BE/WE/YW/GN-4.0	
1	body	1	brass	gold			2007.08.30		
NO.	Description	Unit	Materials	Finish	Drawing No.	SCALE	2 : 1	UNIT	MM