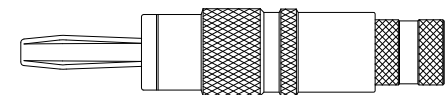
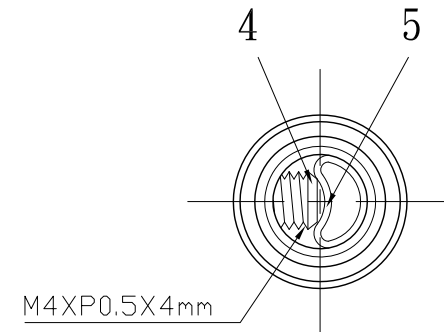
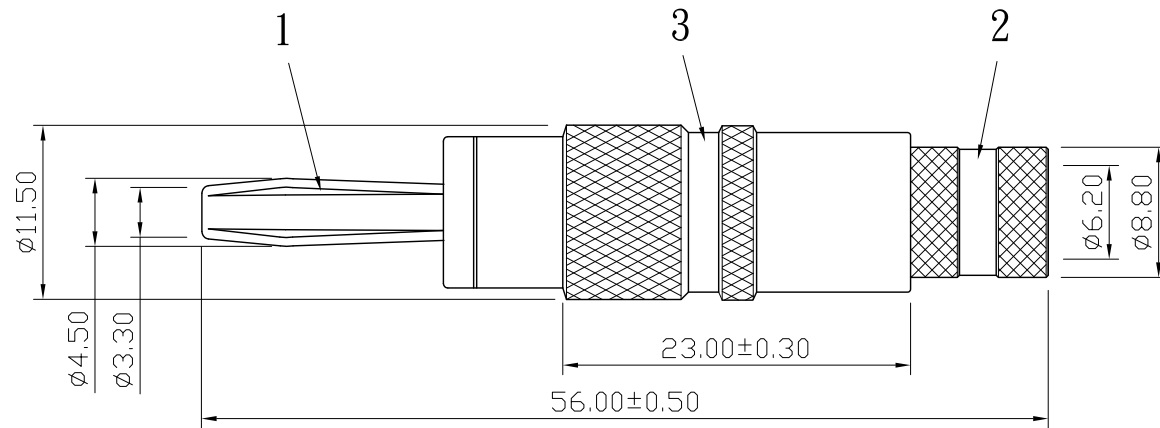



REMARK : RoHS REQUIREMENT APPLIED  
(符合RoHS)



S 1 : 1

NO.	Description	Unit	Materials	Finish	Drawing No.	SCALE	2 : 1	UNIT	MM	CHECKED	 <b>雅鈦企業有限公司</b> Aec Connectors Co., Ltd.			
5	sleeve	1	pvc	white		DIMENSIONS ARE IN MILLIMETERS UNLESS OTHERWISE PECIFIED TOLERANCES (一般公差) 0.5~6 = ±0.2 >6~30 = ±0.4 >30~120 = ±0.6 >120~315 = ±1 >315~1000 = ±1.6 ANGLES(角度) = ±5°				TITLE		BANANA PLUG		
4	screw	2	brass	gold	SCREW-104G-M4XP0.5X4.0mm					DRAWN		Lala	DRAWING NO.	BP-305ZAG-6.2
3	shell	1	brass	zinc alloy						DATE		2008. 03. 21	FILE NO.	DRAWINGAUDIOBPBP-305ZAG-6.2
2	body	1	brass	gold										
1	contact pin	1	brass	gold										