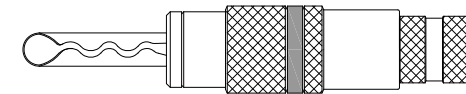
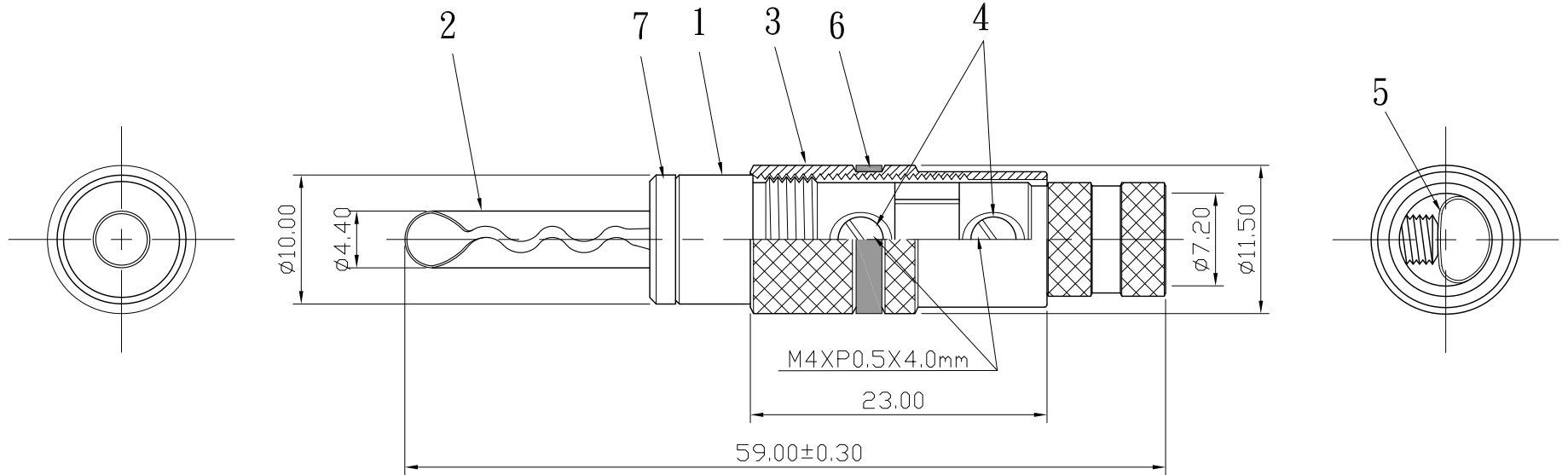



REMARK : RoHS REQUIREMENT APPLIED
(符合RoHS)



S 1 : 1

7	headlock	1	brass	gold		DIMENSIONS ARE IN MILLIMETERS UNLESS OTHERWISE PECIFIED TOLERANCES (一般公差) 0.5~6 = ±0.2 >6~30 = ±0.4 >30~120 = ±0.6 >120~315 = ±1 >315~1000 = ±1.6 ANGLES(角度) = ±5°	CHECKED	 雅鈦企業有限公司 Aec Connectors Co., Ltd.	
6	color ring	1	pvc	red/black/white					DRAWN <i>Lala</i>
5	sleeve	1	pvc	transparent			DATE 2009. 03. 27		
4	screw	2	brass	gold	SCREW-104G-M4XP0.5X4.0mm		TITLE BANANA PLUG		
3	shell	1	brass	zinc alloy			DRAWING NO. BP-304ZAG(PB)-RD/BK/WE-7.2		
2	contact pin	1	phosphor bronze	gold			FILE NO. DRAWING\AUDIO\BP\BP-304ZAG(PB)-RD/BK/WE-7.2		
1	body	1	brass	gold					
NO.	Description	Unit	Materials	Finish	Drawing No.	SCALE	2 : 1	UNIT	MM