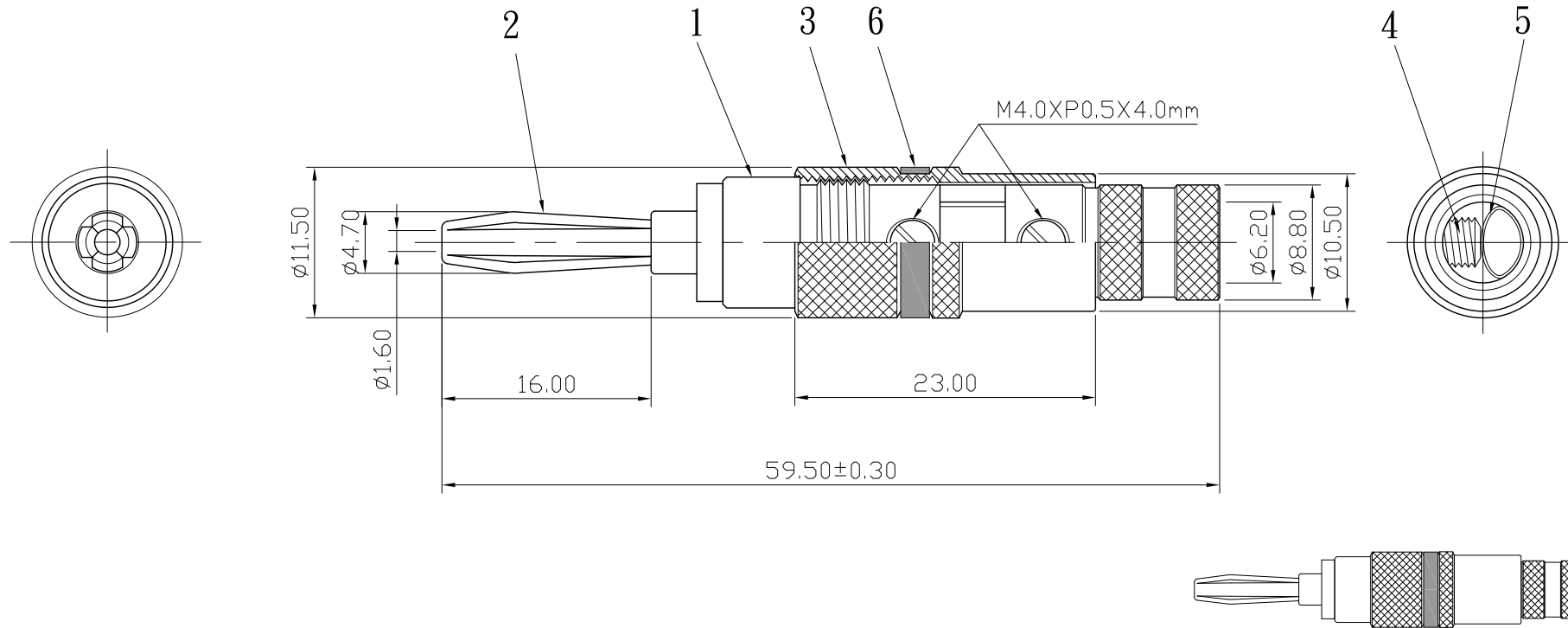



REMARK : RoHS REQUIREMENT APPLIED
(符合RoHS)



S 1 : 1

NO.	Description	Unit	Materials	Finish	Drawing No.	SCALE	2 : 1	UNIT	MM	CHECKED	DRAWN	DATE	TITLE			
7						DIMENSIONS ARE IN MILLIMETERS UNLESS OTHERWISE PECIFIED TOLERANCES (一般公差) 0.5~6 = ±0.2 >6~30 = ±0.4 >30~120 = ±0.6 >120~315 = ±1 >315~1000 = ±1.6 ANGLES(角度) = ±5°								 雅鈦企業有限公司 Aec Connectors Co., Ltd.		
6	color ring	1	PVC	red/black												TITLE
5	ferrule	1	plastic	white												BANANA PLUG
4	screw	2	brass	gold	SCREW-105G-M4XP0.5X4.0mm(φ 3.8)											DRAWING NO.
3	shell	1	brass	zinc alloy												BP-301ZAG-RD/BK-6.2
2	terminal	1	brass	gold												FILE NO.
1	body	1	brass	gold												DRAWING\AUDIO\BP\BP-301ZAG-RD\BK-6.2