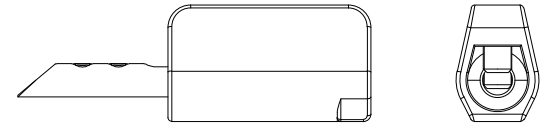
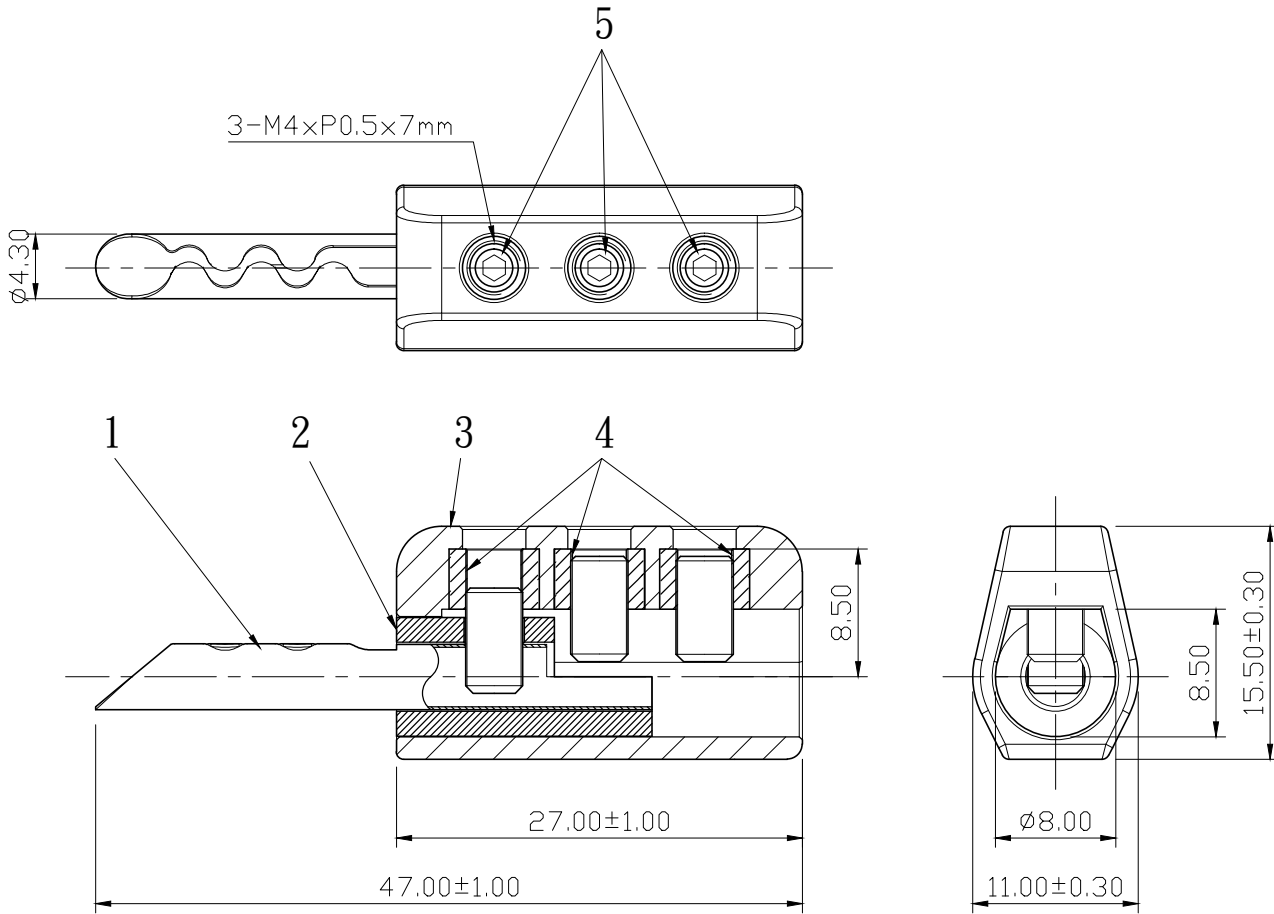



REMARK : RoHS REQUIREMENT APPLIED
(符合RoHS)



S1:1

NO.	Description	Unit	Materials	Finish	Drawing No.	SCALE	2:1	UNIT	MM	CHECKED	DATE	FILE NO.			
5	screw	3	brass	gold	ZZSW0006BR-G	DIMENSIONS ARE IN MILLIMETERS UNLESS OTHERWISE PECIFIED TOLERANCES (一般公差) 0.5-6 = ±0.2 >6-30 = ±0.4 >30-120 = ±0.6 >120-315 = ±1 >315-1000 = ±1.6 ANGLES(角度) = ±5°					2014. 09. 15	DRAWING/AUDIO/BA/PBP-250PLG-8.0			
4	nut	3	brass	gold	ZZNT0014BR-G										
3	shell	1	PMMA	transparent	ZZSL0002PA										
2	insulator	1	PTFE	white	BPIR0001TF										
1	contact pin	1	phosphor bronze	gold	BPCP0003PB-G										
											 雅鈦企業有限公司 Aec Connectors Co., Ltd.				
											TITLE	BANANA PLUG			
											DRAWING NO.	BP-250PLG-8.0			
											DATE	2014. 09. 15			