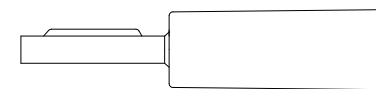
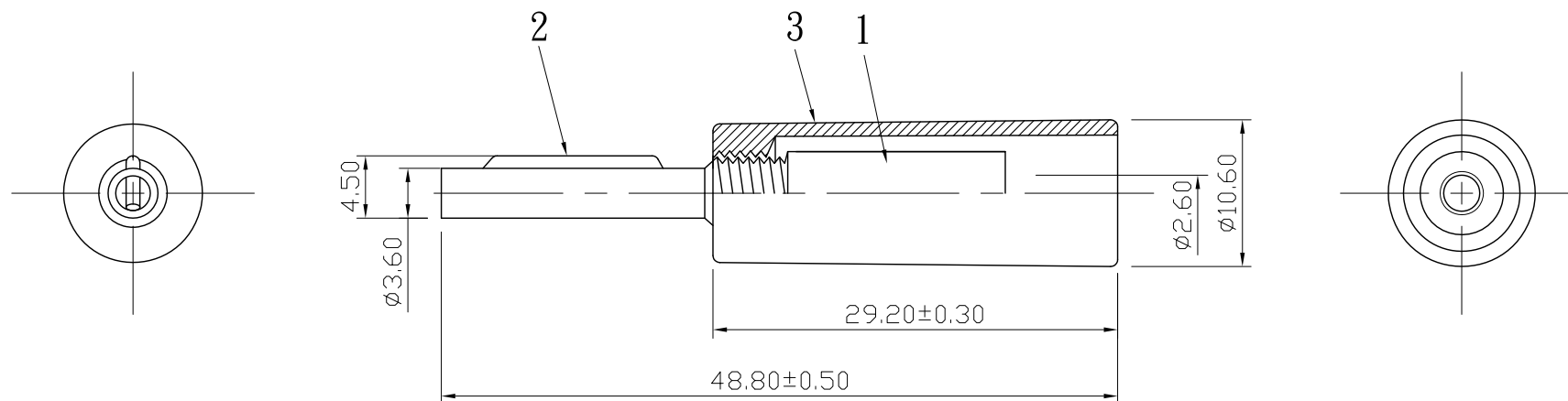



No.	DATE	DESCRIPTION	REV
△	2014. 04. 21	Material for change 材質變更	A

REMARK : RoHS REQUIREMENT APPLIED  
(符合RoHS)



S 1 : 1

7						DIMENSIONS ARE IN MILLIMETERS	CHECKED	 <b>雅鈦企業有限公司</b> Aec Connectors Co., Ltd.
6								
5						0.5~6 = ±0.2	DRAWN <i>Jim</i>	TITLE BANANA PLUG
4						>6~30 = ±0.4		DRAWING NO. BP-207RD/BKPLG-2.6
3	shell	1	plastic	red/black		>30~120 = ±0.6	DATE 2007. 09. 03	FILE NO. DRAWINT\AUDIO\BP\BBP-207RD/BKPLG-2.6
2	spring	1	steel	gold		>120~315 = ±1		
1	body	1	brass	gold		>315~1000 = ±1.6		
NO.	Description	Unit	Materials	Finish	Drawing No.	SCALE 2 : 1	UNIT	MM