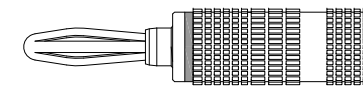
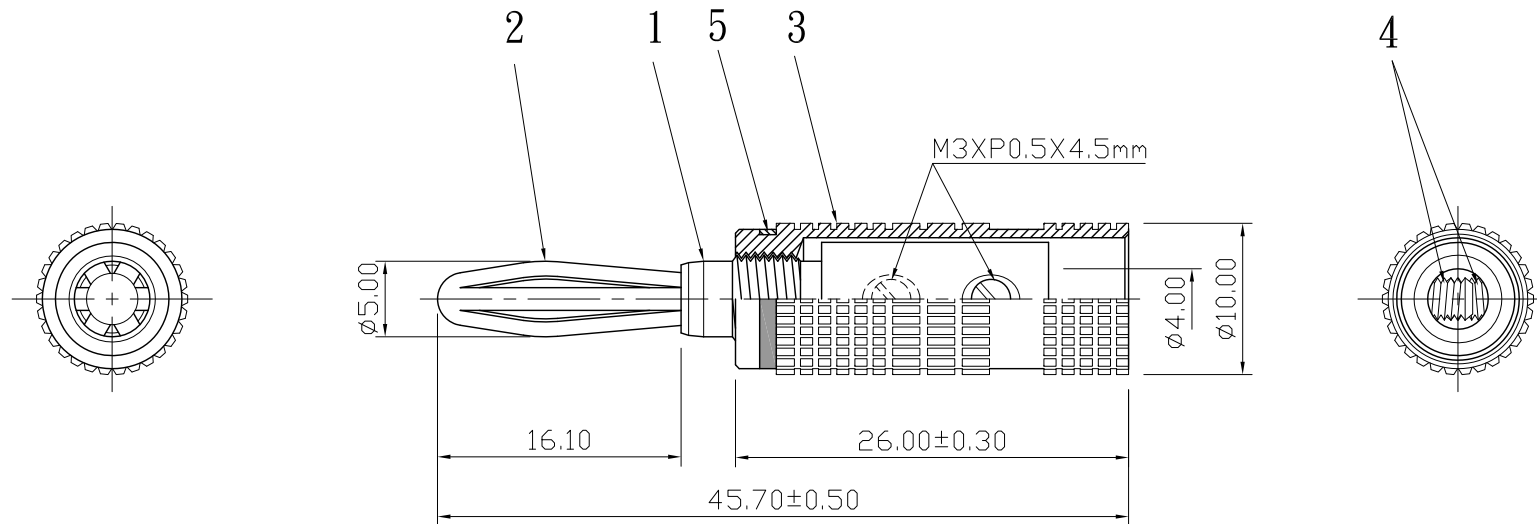



No.	DATE	DESCRIPTION	REV
△	2012. 02. 29	Drawing to renew 圖面更新	A

REMARK : RoHS REQUIREMENT APPLIED
(符合RoHS)



S 1 : 1

7						DIMENSIONS ARE IN MILLIMETERS UNLESS OTHERWISE PECIFIED TOLERANCES (一般公差) 0.5~6 = ±0.2 >6~30 = ±0.4 >30~120 = ±0.6 >120~315 = ±1 >315~1000 = ±1.6 ANGLES(角度) = ±5°	CHECKED	 雅鈦企業有限公司 Aec Connectors Co., Ltd.	
6					DRAWN <i>Tina</i>				TITLE BANANA PLUG
5	color ring	1	PVC	red/black					DATE 2007. 08. 28
4	screw	2	brass	gold	SCREW-104G-M3XP0.5X4.5mm				FILE NO. DRAWING\AUDIO\BP\BP-146GG-RD/BK-4.0
3	shell	1	brass	gold					
2	contact pin	1	phosphor bronze	gold					
1	body	1	brass	gold	BODY-BP-132G				
NO.	Description	Unit	Materials	Finish	Drawing No.	SCALE	2 : 1	UNIT	MM