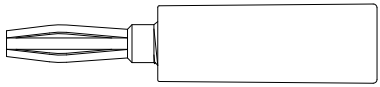
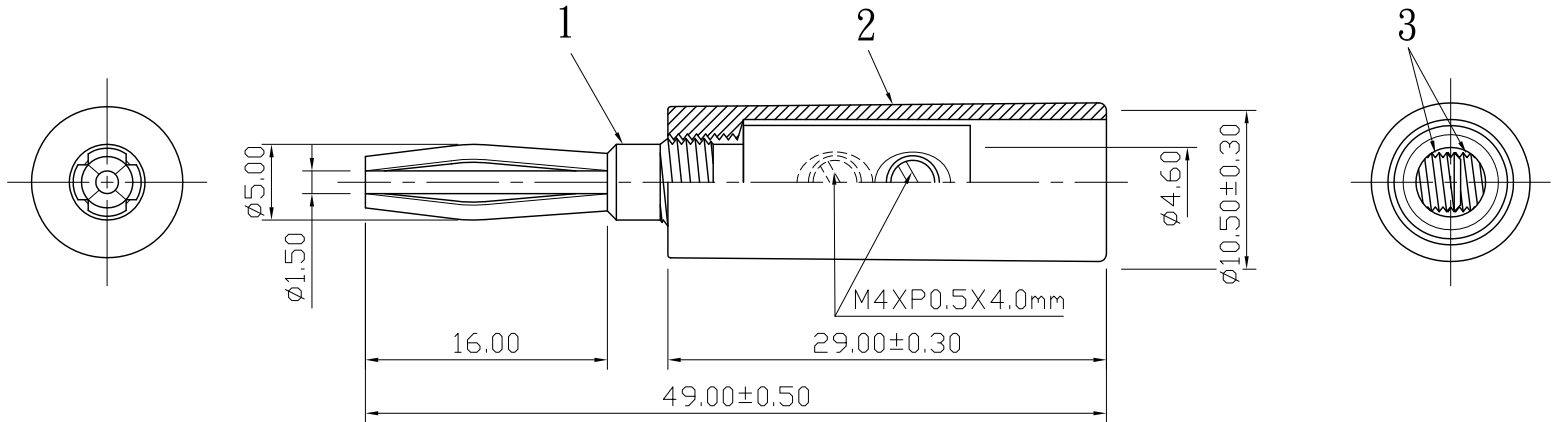



REMARK : RoHS REQUIREMENT APPLIED  
(符合RoHS)



S 1 : 1

|     |             |      |           |           |                          |   |             |  |                                     |
|-----|-------------|------|-----------|-----------|--------------------------|---|-------------|--|-------------------------------------|
| 7   |             |      |           |           |                          | DIMENSIONS ARE IN<br>MILLIMETERS<br><br>UNLESS OTHERWISE SPECIFIED<br>TOLERANCES<br>(一般公差)<br>0.5~6 = ±0.2<br>>6~30 = ±0.4<br>>30~120 = ±0.6<br>>120~315 = ±1<br>>315~1000 = ±1.6<br>ANGLES(角度) = ±5° | CHECKED     |  雅鈦企業有限公司<br>Aec Connectors Co., Ltd. |                                     |
| 6   |             |      |           |           |                          |   | TITLE       |  | BANANA PLUG                         |
| 5   |             |      |           |           |                          |   | DRAWN       | DRAWING NO.  | BP-142RD/BKPLG-4.6                  |
| 4   |             |      |           |           |                          |   | <i>Tina</i> | DATE   | 2007. 09. 05                        |
| 3   | screw       | 2    | brass     | gold      | SCREW-104G-M4XP0.5X4.0mm |   |             | FILE NO.   | DRAWING\AUDIO\BP\BP-142RD/BKPLG-4.6 |
| 2   | shell       | 1    | plastic   | red/black |                          |   |             |  |                                     |
| 1   | body        | 1    | brass     | gold      |                          |   |             |  |                                     |
| NO. | Description | Unit | Materials | Finish    | Drawing No.              | SCALE   | 2 : 1       | UNIT   | MM                                  |