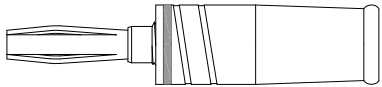
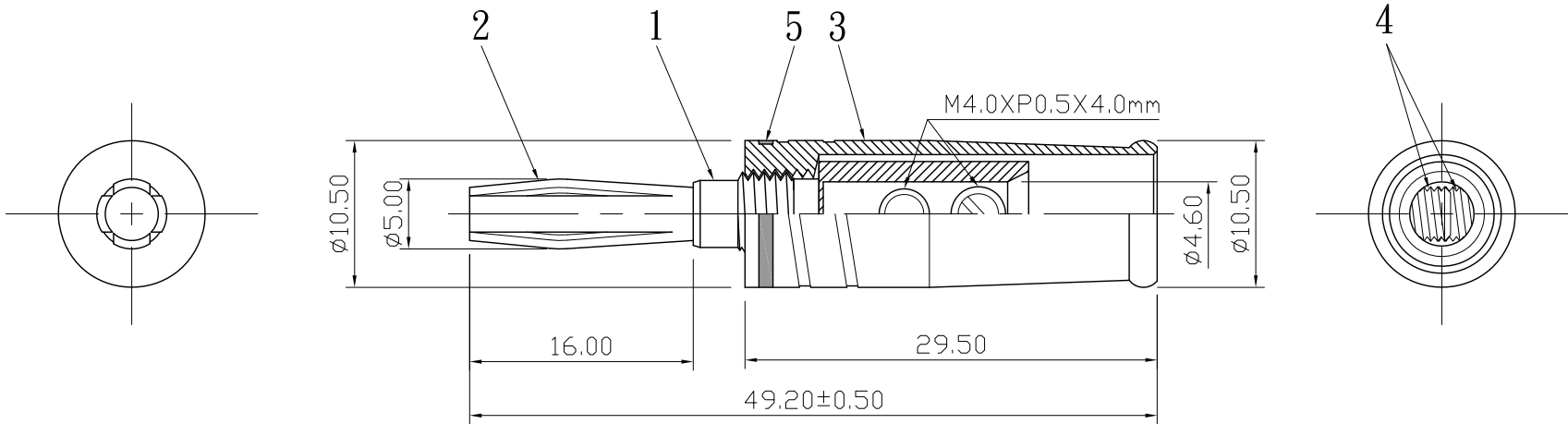



REMARK : RoHS REQUIREMENT APPLIED
(符合RoHS)



S 1 : 1

7						DIMENSIONS ARE IN MILLIMETERS UNLESS OTHERWISE PECIFIED TOLERANCES (一般公差) 0.5~6 = ±0.2 >6~30 = ±0.4 >30~120 = ±0.6 >120~315 = ±1 >315~1000 = ±1.6 ANGLES(角度) = ±5°	CHECKED	 雅鈦企業有限公司 Aec Connectors Co., Ltd.
6					DRAWN <i>Lala</i>			
5	color ring	1	PVC	blue/black/green/ red/white/yellow				
4	screw	2	brass	gold	SCREW-104G-M4XP0.5X4.0mm		DRAWING NO. BP-140sbGG-BE/BK/GN/RD/WE/YW-4.6	
3	shell	1	brass	sandblast gold			DATE 2008.02.04	
2	contact pin	1	brass	gold			FILE NO. DRAWING\AUDIO\BP\BP-140sbGG-BE/BK/GN/RD/WE/YW-4.6	
1	body	1	brass	gold				
NO.	Description	Unit	Materials	Finish	Drawing No.	SCALE 2 : 1 UNIT MM		