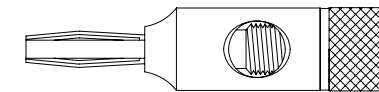
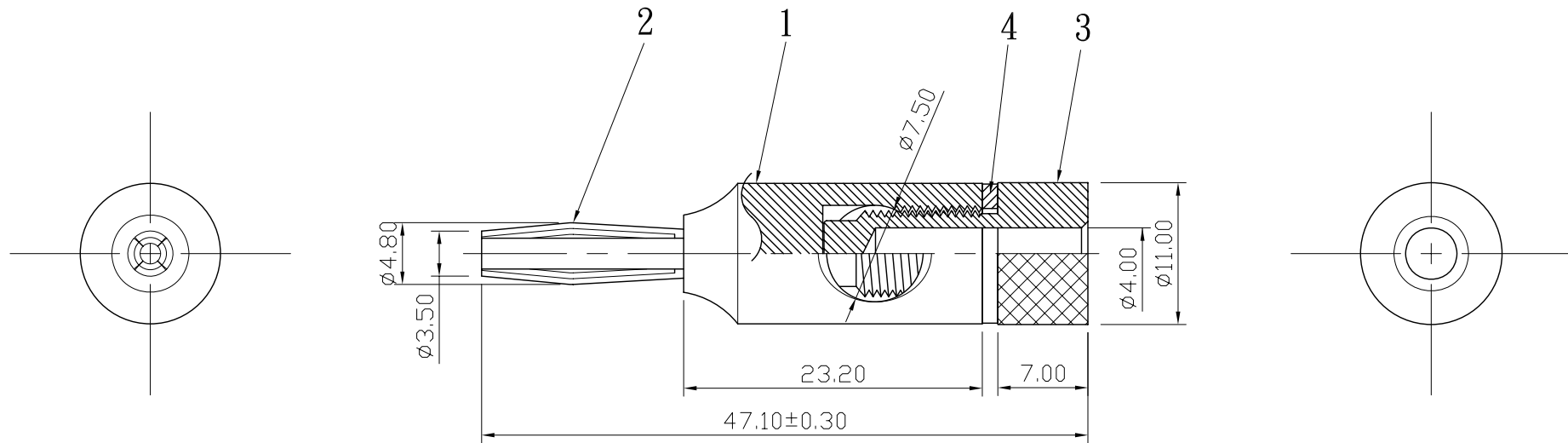



REMARK : RoHS REQUIREMENT APPLIED
(符合RoHS)



S 1 : 1

7						DIMENSIONS ARE IN MILLIMETERS UNLESS OTHERWISE PECIFIED TOLERANCES (一般公差) 0.5~6 = ±0.1 >6~30 = ±0.15 >30~120 = ±0.2 >120~315 = ±0.3 >315~1000 = ±0.4 ANGLES(角度) = ±3°	APPROVED	 雅鈦企業有限公司 Aec Connectors Co., Ltd.	
6					CHECKED		TITLE		
5							DRAWN	BANANA PLUG	
4	gasket	1	plastic	black/red			<i>Tina</i>	DRAWING NO.	
3	headlock	1	brass	gold			DATE	BP-137GG-SH7.5-BK/RD-4.0	
2	contact pin	1	brass	gold			2007. 10. 15	FILE NO. DRAWING\AUDIO\BP\BP-137GG-SH7.5-BK/RD-4.0	
1	body	1	brass	gold					
NO.	Description	Unit	Materials	Finish	Drawing No.	SCALE	2 : 1	UNIT	MM