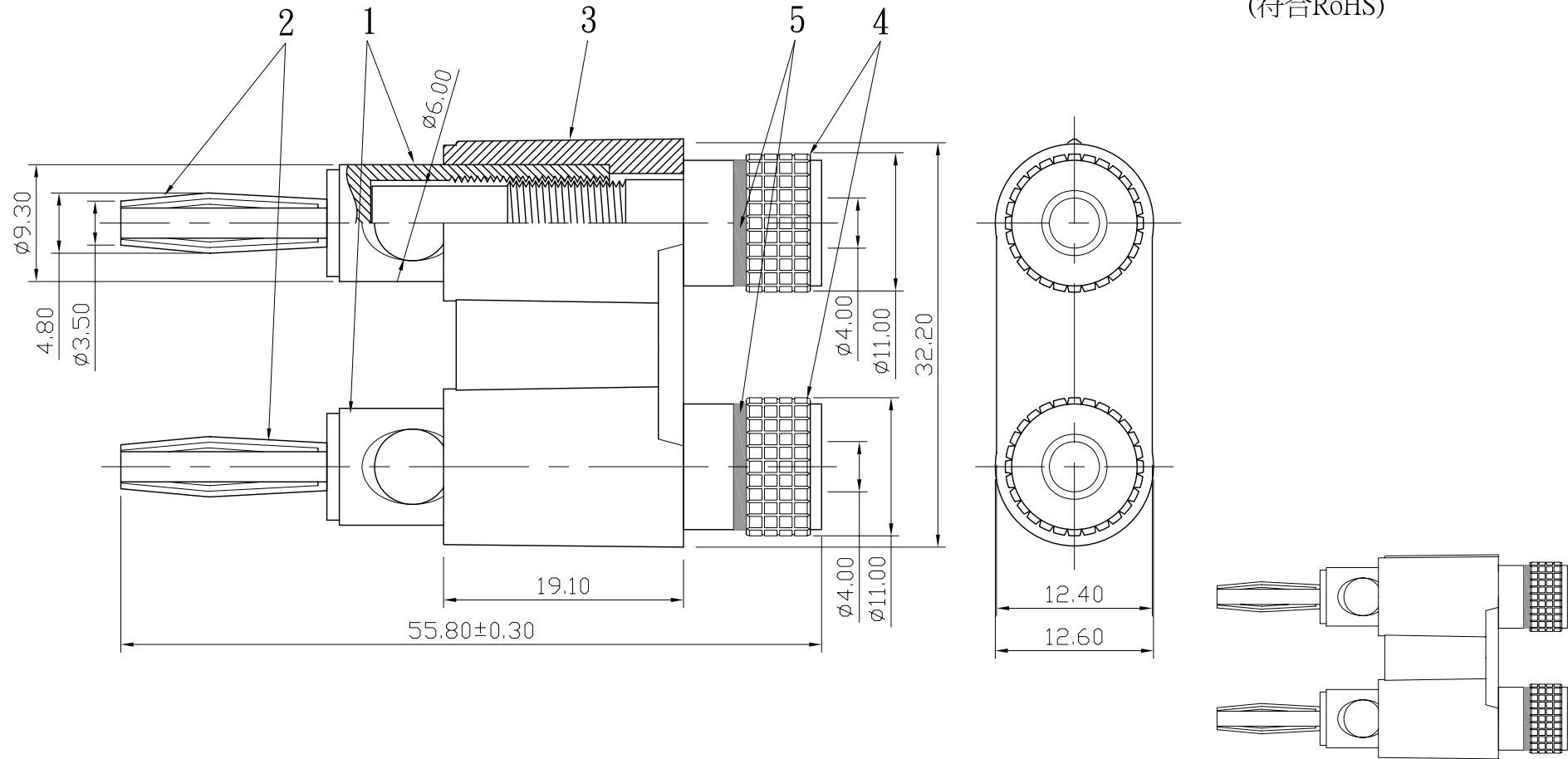


REMARK : RoHS REQUIREMENT APPLIED  
(符合RoHS)



S 1 : 1

7						DIMENSIONS ARE IN MILLIMETERS  UNLESS OTHERWISE PECIFIED TOLERANCES (一般公差) 0.5~6 = ±0.2 >6~30 = ±0.4 >30~120 = ±0.6 >120~315 = ±1 >315~1000 = ±1.6 ANGLES(角度) = ±5°	APPROVED	雅鈦企業有限公司 Aec Connectors Co., Ltd.	
6					CHECKED		TITLE		
5	color ring	2	pvc	red/bkack			DRAWN		BANANA PLUG
4	headlock	2	brass	gold			<i>Lala</i>	DRAWING NO.	
3	shell	1	plastic	red/black			DATE	BP-136RD/BKPLG-SH6.0-RD&BK-4.0	
2	contact pin	2	brass	gold			2008. 03. 07	FILE NO. DRAWING\AUDIO\BP\BP-136RD/BKPLG-SH6.0-RD&BK-4.0	
NO.	Description	Unit	Materials	Finish	Drawing No.	SCALE	2 : 1	UNIT	MM