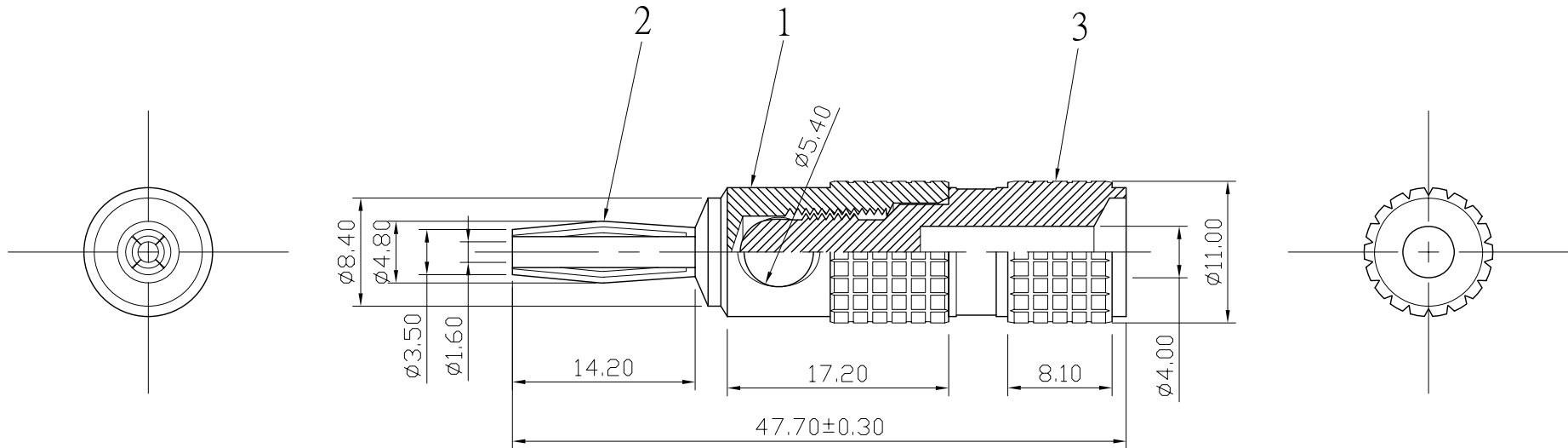
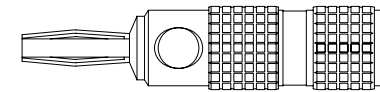


The tolerance without marking are all $\pm 0.25\text{mm}$



僅供參考
FOR
REFERENCE ONLY
Aec Connectors
Always Enjoy Connecting



S 1 : 1

COMPONENTS LIST

NO.	Description	Unit	Materials	Finish	Drawing No.
1	body	1	brass	gold	
2	contact	1	brass	gold	
3	headlock	1	brass	gold	
4					
5					

校對 Check	核 准 Approved	 雅鈦企業有限公司 Aec Connectors Co., Ltd. TEL:+886-6-2456295 FAX:+886-6-2456265 e-mail:rd@aecconnectors.com.tw 13, Alley 38, Lane 478, Sec. 1, http://www.aecconnectors.com.tw An-Ho Rd., Tainan City, Taiwan	
		圖 名 TITLE	BANANA PLUG
繪 圖 Drawing By	Tina	2005.10.14	型 號 PART NO.
SCALE	2 : 1	UNIT	MM
			圖 號 DRAWING NO.
			05101402-3