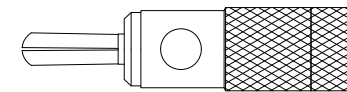
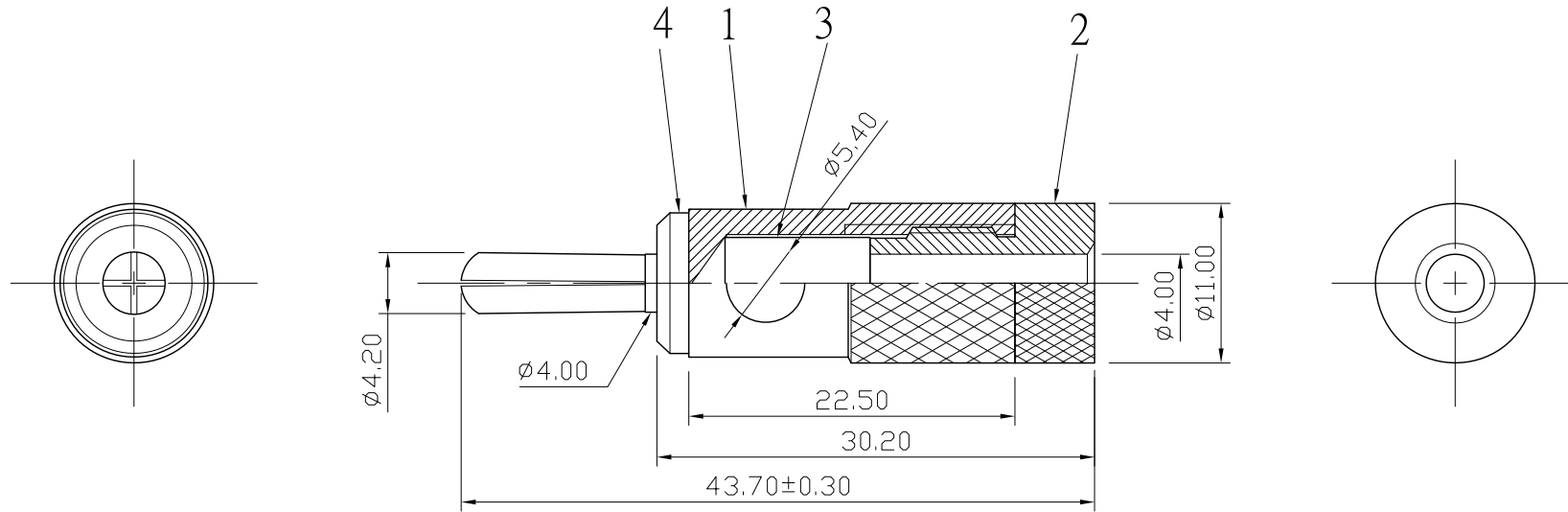



REMARK : RoHS REQUIREMENT APPLIED
(符合RoHS)



S 1 : 1

NO.	Description	Unit	Materials	Finish	Drawing No.	SCALE	2 : 1	UNIT	MM	CHECKED	DATE	FILE NO.					
-						DIMENSIONS ARE IN MILLIMETERS UNLESS OTHERWISE SPECIFIED TOLERANCES (一般公差) 0.5~6 = ±0.2 >6~30 = ±0.4 >30~120 = ±0.6 >120~315 = ±1 >315~1000 = ±1.6 ANGLES(角度) = ±5°						 雅鈦企業有限公司 Aec Connectors Co., Ltd.					
4	gasket	1	plastic	black/red												TITLE	BANANA PLUG
3	pillar	1	brass	gold												DRAWING NO.	BP-129GG-SH5.4-BK/RD-4.0
2	headlock	1	brass	gold												DRAWING NO.	BP-129GG-SH5.4-BK/RD-4.0
1	body	1	brass	gold							DATE	2011. 04. 19					
												FILE NO.	DRAWING\AUDIO\BP\BP-129GG-SH5.4-BK/RD-4.0				