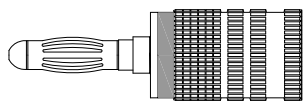
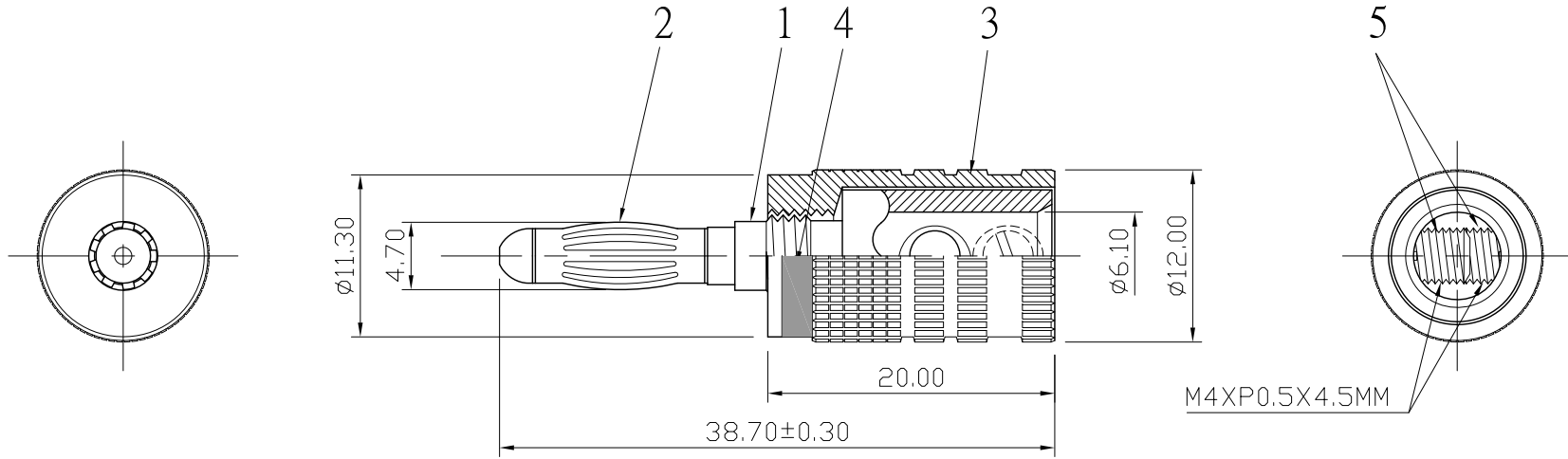



REMARK : RoHS REQUIREMENT APPLIED
(符合RoHS)



S 1 : 1

7						DIMENSIONS ARE IN MILLIMETERS UNLESS OTHERWISE PECIFIED TOLERANCES (一般公差) 0.5~6 = ±0.2 >6~30 = ±0.4 >30~120 = ±0.6 >120~315 = ±1 >315~1000 = ±1.6 ANGLES(角度) = ±5°	CHECKED	 雅鈦企業有限公司 Aec Connectors Co., Ltd.	
6					DRAWN <i>Lala</i>				TITLE BANANA PLUG
5	screw	2	brass	gold			SCREW-104G-M4XP0.5X4.5mm		DATE 2008. 04. 22
4	color ring	1	pvc	red/black			FILE NO.		DRAWING\AUDIO\BP\BP-128GG(BeCu)-BK/RD-6.1
3	shell	1	brass	gold					
2	contact pin	1	beryllium copper	gold					
1	body	1	brass	gold					
NO.	Description	Unit	Materials	Finish	Drawing No.	SCALE	2 : 1	UNIT	MM