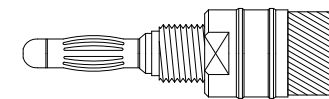
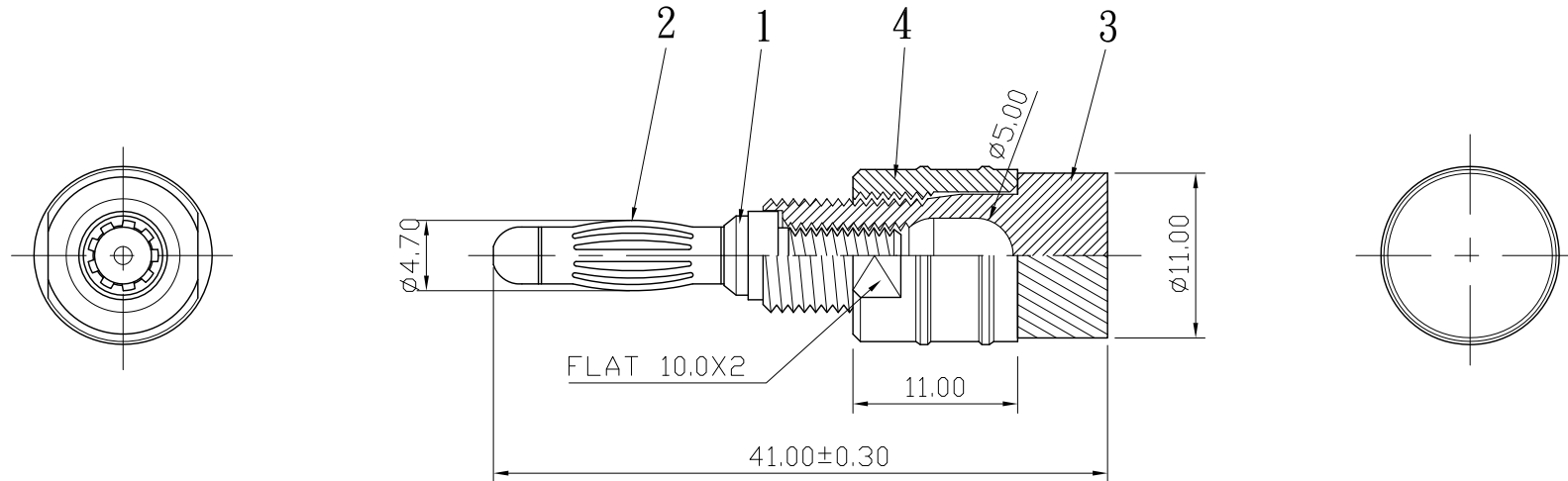



REMARK : RoHS REQUIREMENT APPLIED  
(符合RoHS)



S 1 : 1

NO.	Description	Unit	Materials	Finish	Drawing No.	SCALE	2 : 1	UNIT	MM	CHECKED	DATE	FILE NO.	
7						DIMENSIONS ARE IN MILLIMETERS UNLESS OTHERWISE SPECIFIED TOLERANCES (一般公差) 0.5~6 = ±0.2 >6~30 = ±0.4 >30~120 = ±0.6 >120~315 = ±1 >315~1000 = ±1.6 ANGLES(角度) = ±5°			DRAWN <i>Lala</i> DATE 2008.05.29		 雅鈦企業有限公司 Aec Connectors Co., Ltd.	TITLE	BANANA PLUG
6					DRAWING NO.							BP-127GG(BeCu)	
5					FILE NO.							DRAWING\AUDIO\BP\BP-127GG(BeCu)	
4	shell	1	brass	gold									
3	handlock	1	brass	gold									
2	contact pin	1	beryllium copper	gold									
1	body	1	brass	gold									