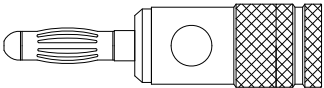
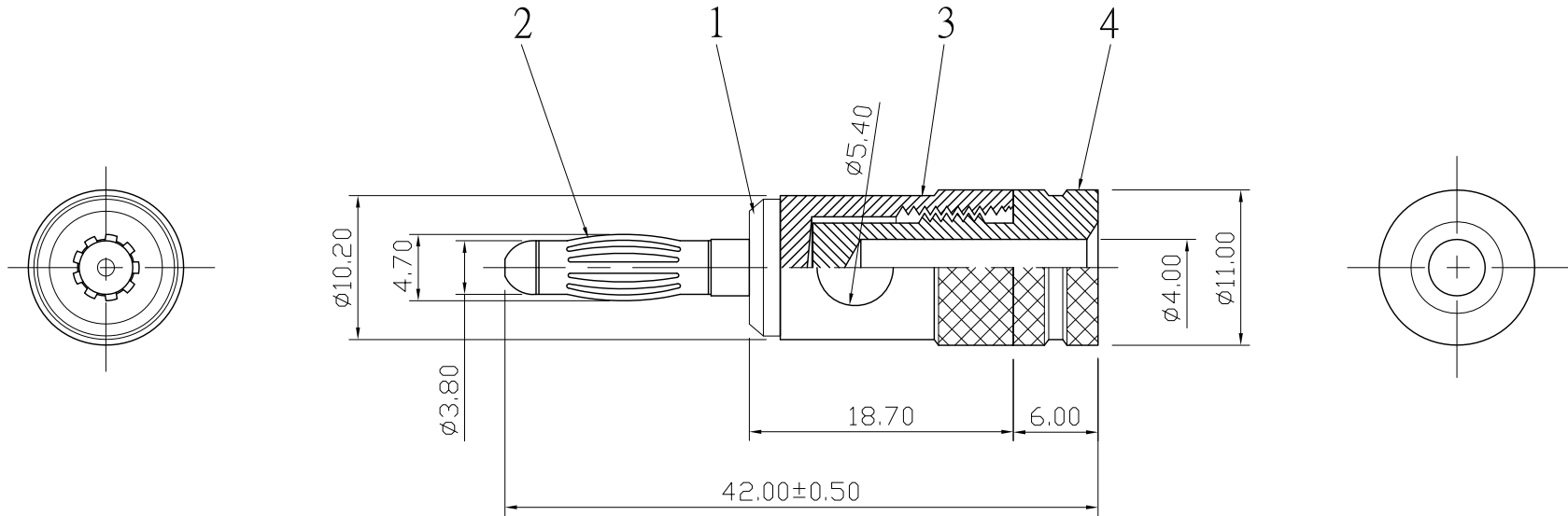



REMARK : RoHS REQUIREMENT APPLIED  
(符合RoHS)



S 1 : 1

7						DIMENSIONS ARE IN MILLIMETERS UNLESS OTHERWISE SPECIFIED TOLERANCES (一般公差) 0.5~6 = ±0.2 >6~30 = ±0.4 >30~120 = ±0.6 >120~315 = ±1 >315~1000 = ±1.6 ANGLES(角度) = ±5°	CHECKED	 雅鈦企業有限公司 Aec Connectors Co., Ltd.	
6					DRAWN <i>Lala</i>				TITLE BANANA PLUG
5									DATE 2008. 12. 05
4	headlock	1	brass	gold					FILE NO. DRAWING\AUDIO\BP\BP-123GG(BeCu)-SH5.4-RD/BK-4.0
3	body	1	brass	gold					
2	contact pin	1	beryllium copper	gold					
1	washer	1	plastic	red/black					
NO.	Description	Unit	Materials	Finish	Drawing No.	SCALE	2 : 1	UNIT	MM