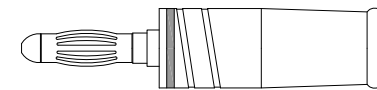
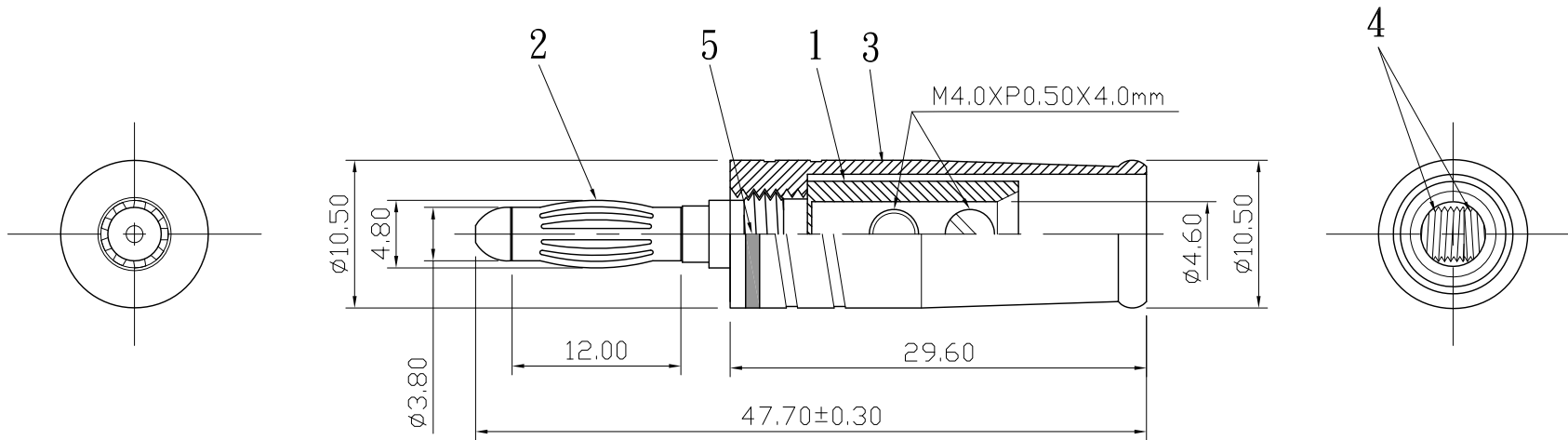



REMARK : RoHS REQUIREMENT APPLIED
(符合RoHS)



S 1 : 1

NO.	Description	Unit	Materials	Finish	Drawing No.	SCALE	2 : 1	UNIT	MM					
7						DIMENSIONS ARE IN MILLIMETERS UNLESS OTHERWISE SPECIFIED TOLERANCES (一般公差) 0.5~6 = ±0.2 >6~30 = ±0.4 >30~120 = ±0.6 >120~315 = ±1 >315~1000 = ±1.6 ANGLES(角度) = ±5°								
6														
5	color ring	1	PVC	red/white/black										
4	screw	2	brass	gold	SCREW-105G-M4XP0.5X4.0mm(φ 3.8)									
3	shell	1	brass	zinc alloy										
2	contact	1	beryllium copper	gold										
1	body	1	brass	gold										
						CHECKED	 雅鈦企業有限公司 Aec Connectors Co., Ltd.							
						DRAWN					TITLE BANANA PLUG			
						DATE								
						2007. 08. 21					FILE NO. DRAWING\AUDIO\BP\BP-120ZAG(BeCu)-RD/WE/BK-4.6			