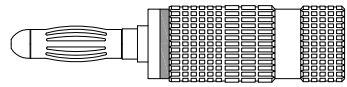
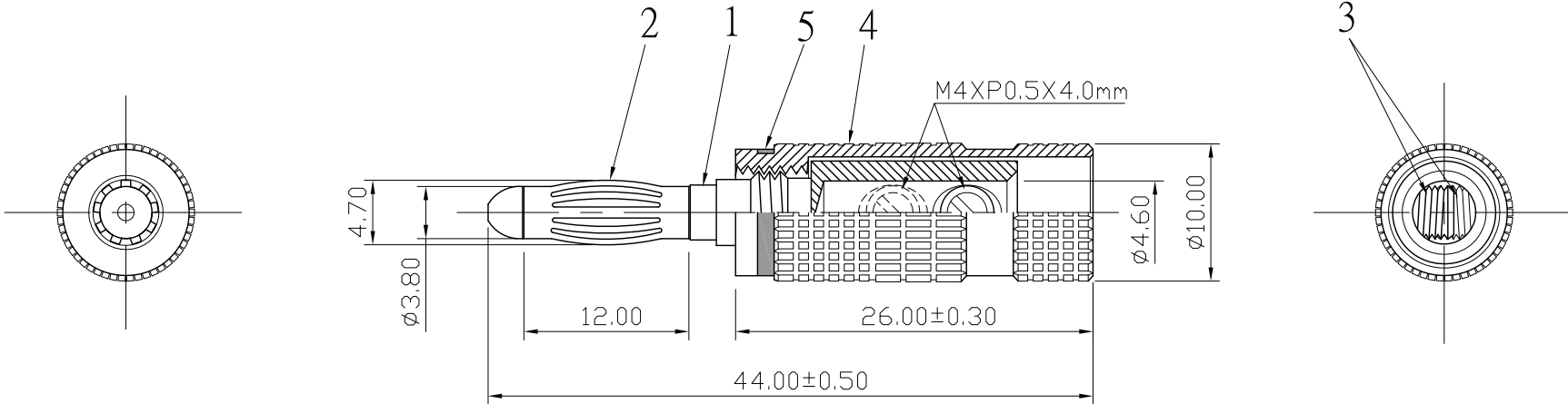



REMARK : RoHS REQUIREMENT APPLIED
(符合RoHS)



S 1 : 1

7						DIMENSIONS ARE IN MILLIMETERS UNLESS OTHERWISE SPECIFIED TOLERANCES (一般公差) 0.5~6 = ±0.2 >6~30 = ±0.4 >30~120 = ±0.6 >120~315 = ±1 >315~1000 = ±1.6 ANGLES(角度) = ±5°	CHECKED	 雅鈦企業有限公司 Aec Connectors Co., Ltd.	
6					DRAWN <i>Jim</i>				
5	color ring	1	pvc	red/black/blue white/yellow/green			SCREW-104G-M4XP0.5X4.0mm		DATE 2007. 10. 19
4	shell	1	brass	gold	BODY-BP-118G(BeCu)G-4.6		DRAWING NO. BP-118GG(BeCu)-RD/BK/BE/WE/YW/GN-4.6		
3	screw	2	brass	gold			FILE NO. DRAWINGAUDIOBPBP-118GG(BeCu)-RD/BK/BE/WE/YW/GN-4.6		
2	contact pin	1	beryllium copper	gold					
1	body	1	brass	gold					
NO.	Description	Unit	Materials	Finish	Drawing No.	SCALE	2 : 1	UNIT	MM