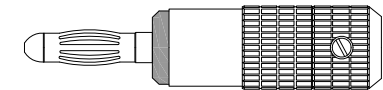
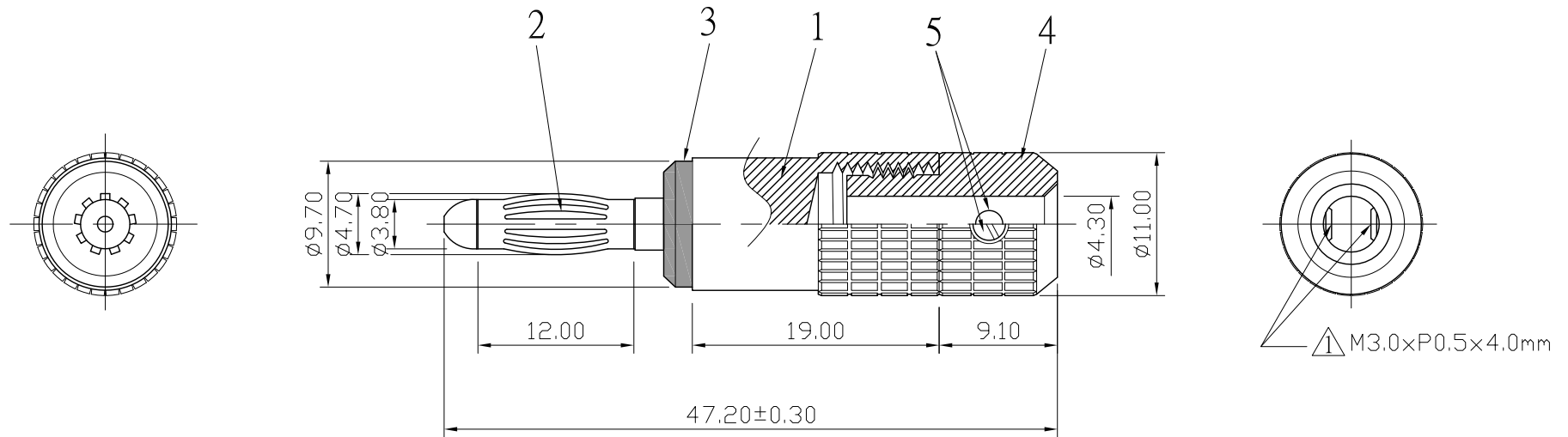



No.	DATE	DESCRIPTION	REV	REMARK : RoHS REQUIREMENT APPLIED (符合RoHS)	DATE	DRAWING NO.
△	2012. 05. 08	Original dimation 4.5mm.	A			



S 1 : 1

7						DIMENSIONS ARE IN MILLIMETERS UNLESS OTHRWISE PECIFIED TOLERANCES (一般公差) 0.5~6 = ±0.2 >6~30 = ±0.4 >30~120 = ±0.6 >120~315 = ±1 >315~1000 = ±1.6 ANGLES(角度) = ±5°	CHECKED	 雅鈦企業有限公司 Aec Connectors Co., Ltd.	
6									
5	screw	2	brass	gold	SCREW-103G-M3.0XP0.5X4mm				TITLE
4	headlock	1	brass	gold					BANANA PLUG
3	gasket	1	plastic	black/red					DRAWING NO.
2	contact pin	1	beryllium copper	gold			BP-117GG(BeCu)-BK/RD-4.3		
1	body	1	brass	gold			DATE		
NO.	Description	Unit	Materials	Finish	Drawing No.	SCALE	2 : 1	UNIT	
						MM	2010. 08. 12	FILE NO.	
								DRAWING\AUDIO\BP\BP-117GG(BeCu)-BK/RD-4.3	