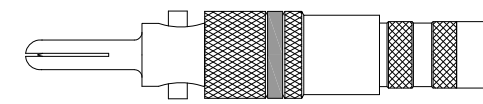
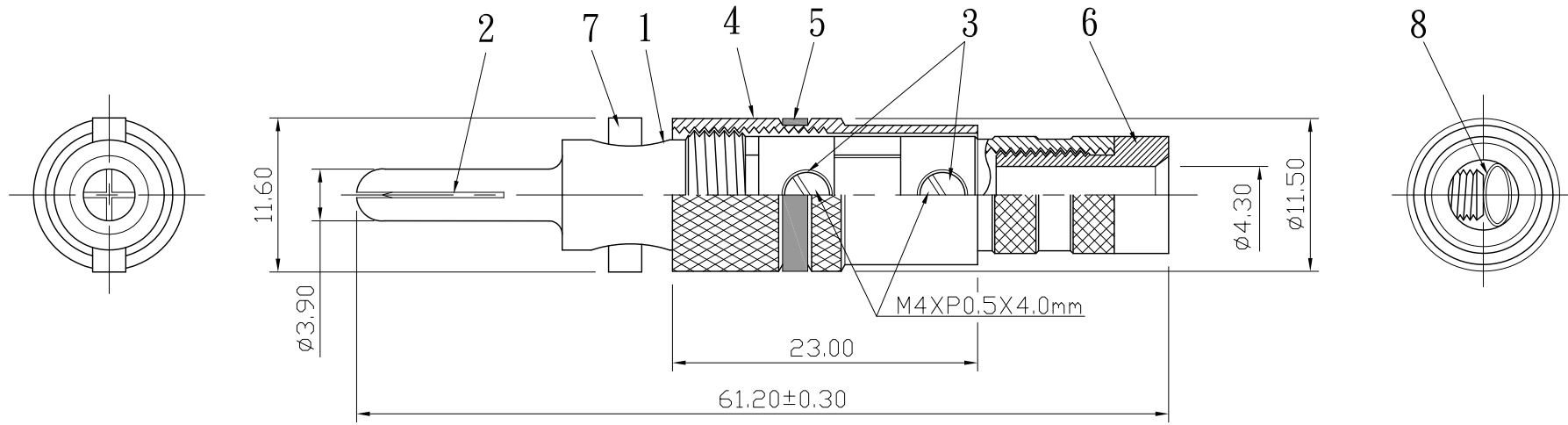



REMARK : RoHS REQUIREMENT APPLIED
(符合RoHS)



S 1 : 1

NO.	Description	Unit	Materials	Finish	Drawing No.	SCALE	2 : 1	UNIT	MM			
8	sleeve	1	pvc	transparent		DIMENSIONS ARE IN MILLIMETERS UNLESS OTHERWISE PECIFIED TOLERANCES (一般公差) 0.5~6 = ±0.2 >6~30 = ±0.4 >30~120 = ±0.6 >120~315 = ±1 >315~1000 = ±1.6 ANGLES(角度) = ±5°	CHECKED	 雅鈦企業有限公司 Aec Connectors Co., Ltd.				
7	cleat	1	brass	gold	TITLE					BANANA PLUG		
6	headlock	1	brass	gold	DRAWING NO.					BP-108ZAG-RD/BK/WE-4.3		
5	color ring	1	pvc	red/black/white				DATE		2010. 05. 17		
4	shell	1	brass	zinc alloy				DRAWN		Otis		
3	screw	2	brass	gold	SCREW-104G-M4XP0.5X4.0mm			FILE NO.		DRAWING\AUDIO\BP\BP-108ZAG-RD/BK/WE-4.3		
2	contact pin	1	brass	gold								
1	body	1	brass	gold								